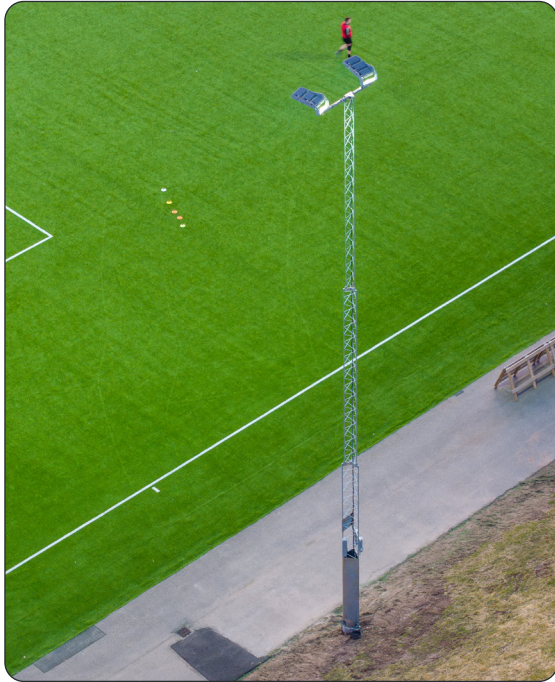


# LIGHT MAST

16-42 M

**STRIHL**  
LIGHTING



## APPLICATIONS

BANDY RINKS & ICE RINKS  
FOOTBALL FIELDS & SPORTS FACILITIES  
AIRPORTS  
FREIGHT & INTERMODAL TERMINALS  
PORT AREAS  
INDUSTRIAL AREAS  
MULTISPORT ARENAS  
LOCAL SPORTS FACILITIES  
PARKING AREAS  
SKI FACILITIES  
SKI & ILLUMINATED TRAILS  
SWITCHYARDS  
TRANSFORMER STATIONS  
TRAFFIC INTERCHANGES  
OUTDOOR ENVIRONMENTS

*Our lattice masts are manufactured in Fjärås from high-quality steel using an efficient welding robot. The masts are designed to meet the lighting requirements of football fields, sports facilities, parking areas, industrial yards, airports, ports and other large areas.*

- Welding is carried out by qualified welders and welding operators.
- Hot-dip galvanizing in accordance with SS-EN ISO 1461
- Structural design and strength calculations in accordance with EN 1090-1.
- Quick and easy to install.
- Mounting solutions for floodlight installation, all-round and directional lighting, see accessories.
- Sections made from solid round bar, eliminating the risk of pinch injuries when installing luminaires and other equipment.
- EPD available

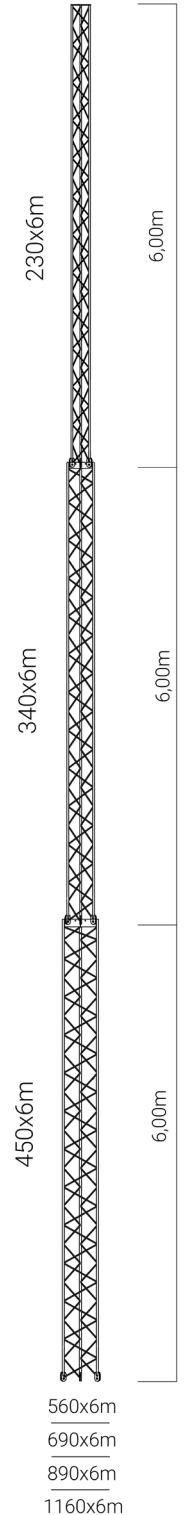
# LIGHT MAST

16-42 M

**STRIHL**  
LIGHTING

## SPECIFICATIONS

<b>Material</b>	High-grade solid quality steel verified by certificate. Steel grade S355J2.
<b>Construction</b>	Lattice construction with triangular modular sections made from solid round steel bar
<b>Height</b>	6-42 m
<b>Surface treatment</b>	Hot-dip galvanizing in accordance with SS-EN ISO 1461
<b>Corrosivity class</b>	>C3
<b>Dimensioning</b>	Carried out by STRIHL in accordance with European standards
<b>Environmental declaration</b>	EPD
<b>European standard</b>	EN 1090-1:2009+A1:2011
<b>Stocked standard sections</b>	230x6, 340x6, 450x6, 560x6, 690x6, 890x6, 1160x6
<b>Installation</b>	See separate installation and lifting instructions.
<b>Foundation</b>	Prefabricated lightweight V foundation with smart recess, or cast-in-place foundation. Bolt groups, cast-in fixing kits and hole templates for cast-in-place foundations and rock installation are available.
<b>Accessories</b>	Climbing protection, driver cabinet, fuse boxes, all-round floodlight bracket (1-8 arms), floodlight beam 1-3 m, special bracket for heavy floodlights, tubular bracket for road luminaires, bolt kits, nut kits, hole templates for casting.



# LIGHT MAST

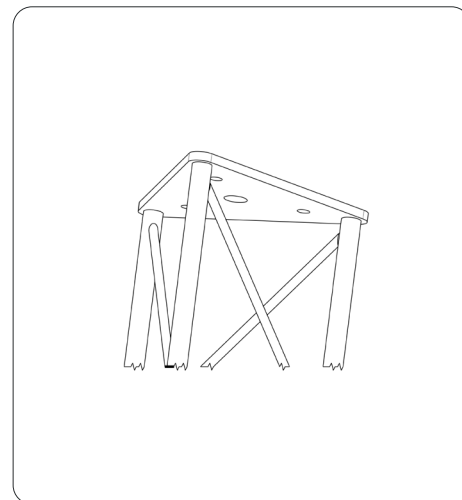
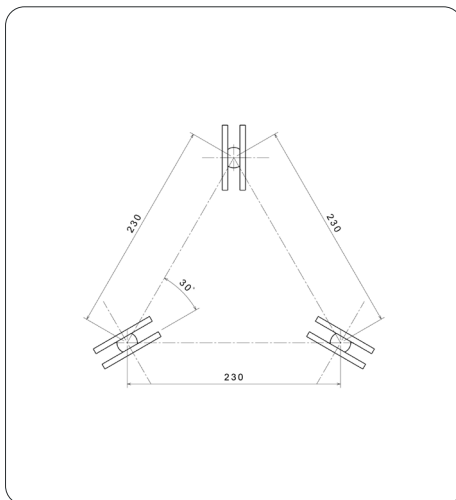
16-42 M

## Section 230 x 6

**Length** 6 m

**Outer round bar dimension** 230 mm

**Weight** 78 kg

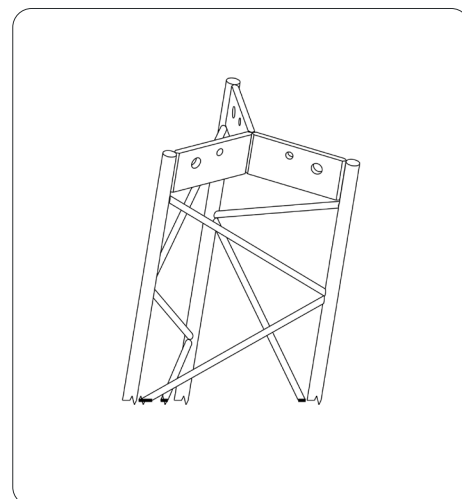
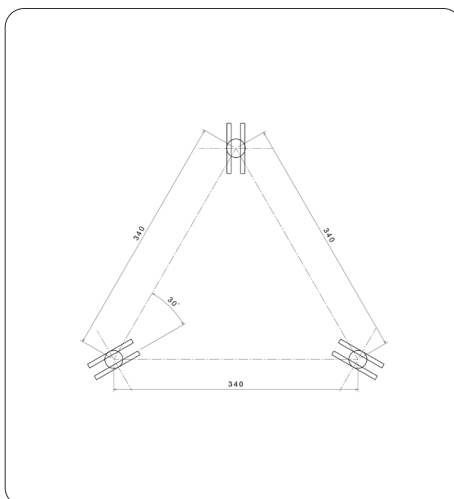


## Section 340 x 6

**Length** 6 m

**Outer round bar dimension** 340 mm

**Weight** 104 kg

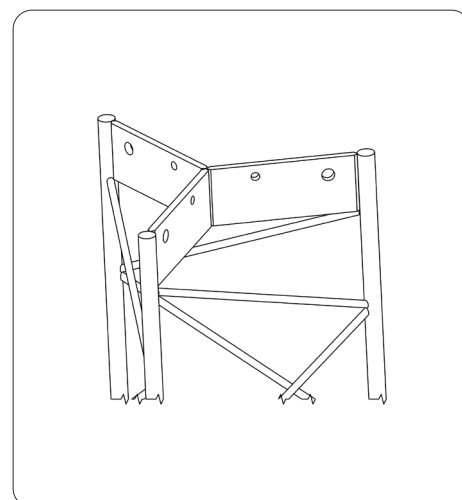
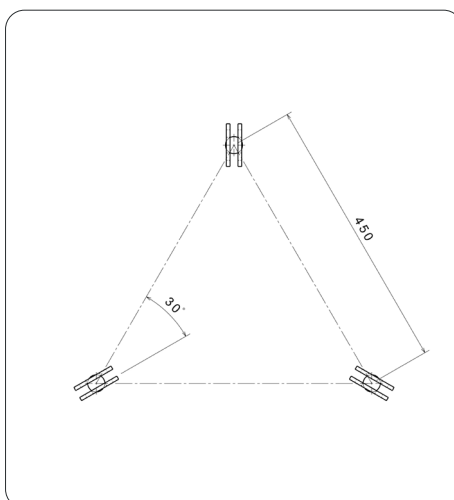


## Section 450 x 6

**Length** 6 m

**Outer round bar dimension** 450 mm

**Weight** 132 kg



# LIGHT MAST

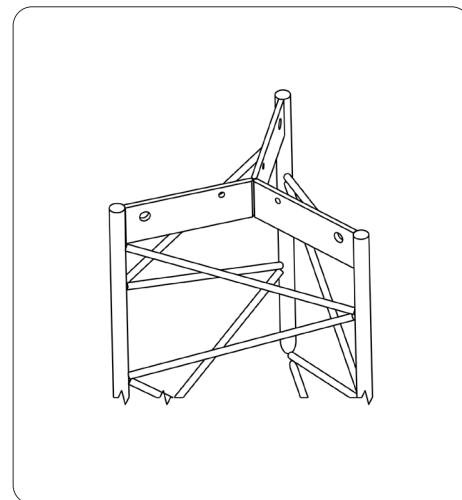
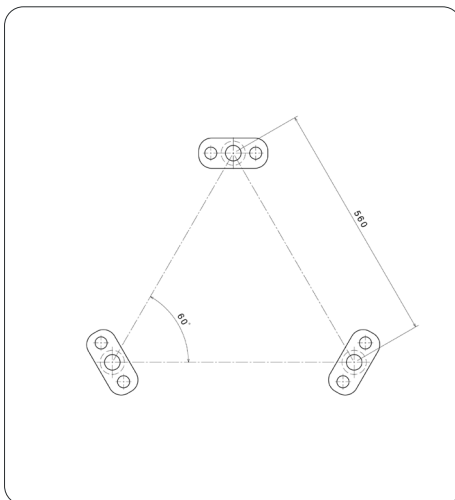
16-42 M

## Section 560 x 6

**Length** 6 m

**Outer round bar dimension** 560 mm

**Weight** 221 kg

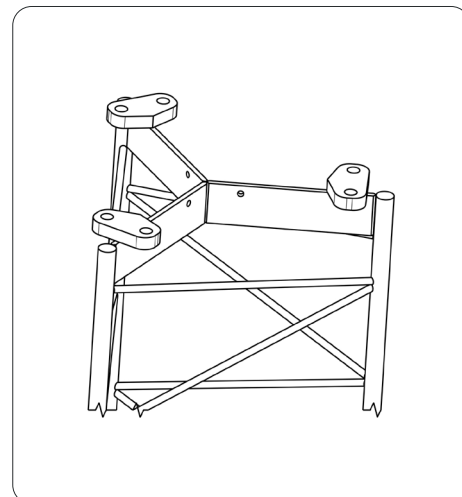
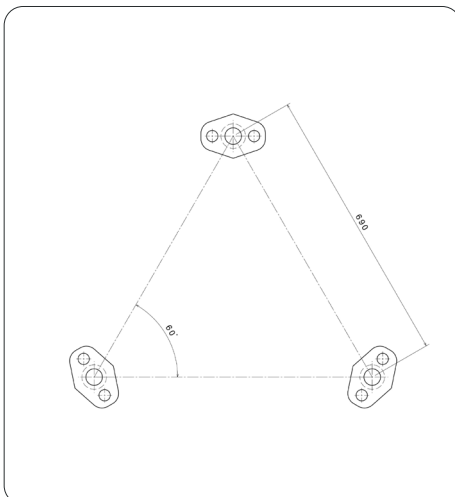


## Section 690 x 6

**Length** 6 m

**Outer round bar dimension** 690 mm

**Weight** 270 kg

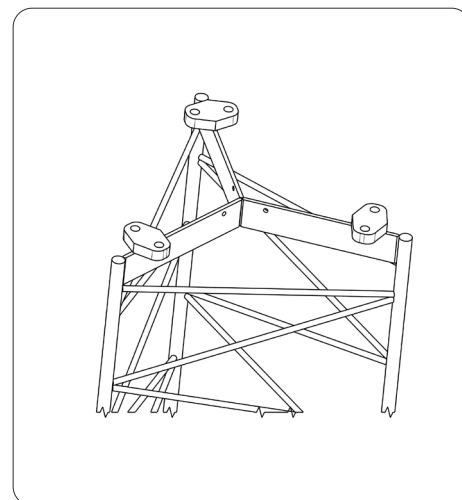
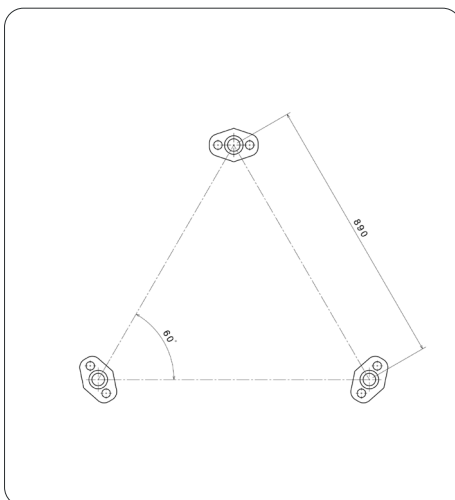


## Section 890 x 6

**Length** 6 m

**Outer round bar dimension** 890 mm

**Weight** 331 kg



# LIGHT MAST

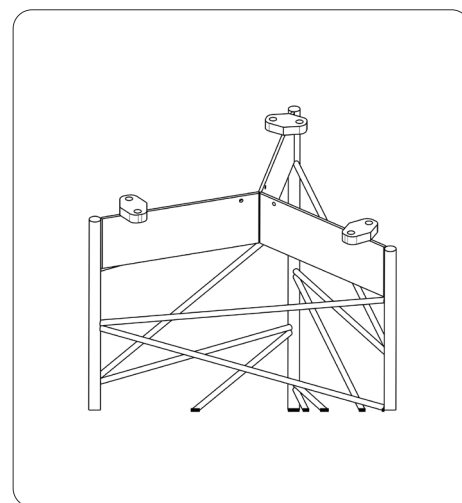
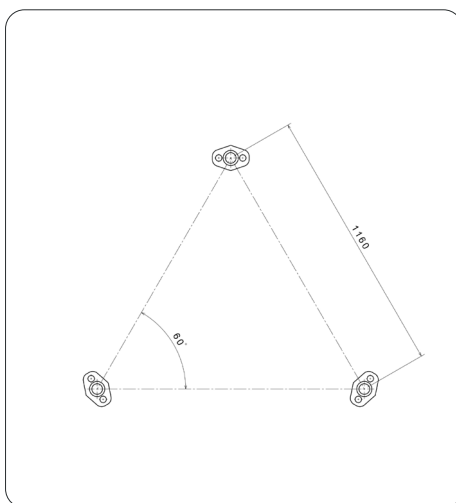
16-42 M

## Section 1160 x 6

**Length** 6 m

**Outer round bar dimension** 1160 mm

**Weight** 525 kg



## PACKAGE SOLUTIONS

Article	Type	Bottom section	Section 2	Section 3	Top section	Weight excl. foundation (kg)
1134012m	Light mast 340, 230 12m	340 x 6			230 x 6	182
1145012m	Light mast 450, 340 12m	450 x 6			340 x 6	236
1145018m	Light mast 450, 340, 230 18m	450 x 6	340 x 6		230 x 6	314
1156018m	Light mast 560, 450, 340 18m	560 x 6	450 x 6		340 x 6	457
1169018m	Light mast 690, 560, 450 18m	690 x 6	560 x 6		450 x 6	623
1189018m	Light mast 890, 690, 560 18m	890 x 6	690 x 6		560 x 6	822
1156024m	Light mast 690, 560, 450, 340 24m	560 x 6	450 x 6	340 x 6	230 x 6	535
1169024m	Light mast 690, 560, 450, 340 24m	690 x 6	560 x 6	450 x 6	340 x 6	727

## ADAPTRAR OCH TILLBEHÖR

<b>1. V-Fundament</b>	Prefabricated concrete foundations with smart recess for mast sections 230-1160
<b>2. Cast-in-place kit</b>	Threaded rods and nut kit for cast-in-place foundations or rock installation
<b>3. Foundation adapter</b>	For bottom sections 230, 340, 450. Also functions as a hole template for casting
<b>4. Splice bolt kit</b>	Complete bolt kits for connecting mast sections.
<b>5. Top plate</b>	Topplatta för montering av tillbehör i mastens topp.
<b>6. Tubular bracket for road luminaire</b>	Mounted on 230 top, top plate, arm or beam. Enables installation of a road luminaire on the mast.
<b>7. Floodlight beam</b>	Perforated beam for mounting floodlights on mast sections 230-1160. 1-3 m long. Dimension 60x60 mm.
<b>8. Centre bracket for floodlight on beam</b>	Used to move a centred floodlight outward on the beam.
<b>9. Arm bracket for heavy floodlight</b>	For stable mounting of floodlights on an rotatable arm.
<b>10. Rotable bracket with arms</b>	1-8 arms in long or short version. Long arm 700 mm, short arm 350 mm.
<b>11. Fuse box</b>	For fusing of luminaire mounted in the mast.
<b>12. Driver cabinet</b>	For mounting external drivers at the base of the mast.
<b>13. Driver cabinet profiles</b>	For mounting driver cabinets to the mast
<b>14. Climbing protection</b>	Hot-dip galvanized sheet metal attached around the mast with pop rivets.
<b>15. Collision protection</b>	Bent hot-dip galvanized tubes mounted at ground level around the mast to provide protection in the event of a collision.
<b>16. Lightning rod</b>	Metal rod mounted at the top of the mast to capture lightning strikes.

» Additional accessories are available in the range. Please contact us for more information.

# LIGHT MAST

16-42 M

## 1. V-Foundation

Prefabricated foundations with a smart v-shaped recess for cable routing make foundation work simple.

Article	Type	Width (mm)	Length (mm)	Weight (kg)
12450200	V-Foundation 340/450-2,0m	497	2000	475
12560250	V-Foundation 560-2,5m	725	2500	1160
12690250	V-Foundation 690-2,5m	855	2500	1300
12890300	V-Foundation 890-3,0m	1064	2500	2300
12116030	V-Foundation 1160-3,0m	1354	3000	4000



## 2. Cast-in-place kit

Threaded rods and nut kit for cast-in-place foundations or rock installation.

Article	Type	Weight (kg)
13202501	Fastening Products M20 230-450	23
1320252	Fastening Products M24 560-1160	25



## 3. Foundation adapter 230/340/450

For fitting bottom sections 230, 340, 450 to V foundation 340/450-2,0m. Also functions as a hole template for cast-in-place foundations or rock installation.

Article	Type	Weight (kg)
11900090	Foundation adapter 230/340/450	15



# LIGHT MAST

16-42 M

## 4. Splice bolt kit

Complete bolt kits for connecting mast sections

Article	Type	Weight (kg)
13230450	Bolt kit 230/340, 340/450	2
13450560	Bolt kit 450/560	2
13560890	Bolt kit 560/690, 690/890, 890/1160	2



## 5. Top plate

Top plate for mounting accessories at the top of the mast.

Article	Type	Weight (kg)
11900079	Rotable top plate	10



## 6. Tubular bracket for road luminaire

The tubular bracket enables installation of a road luminaire on the mast. The bracket fits on 230 top, top plate, arm or beam. Additional bolt kit is needed.

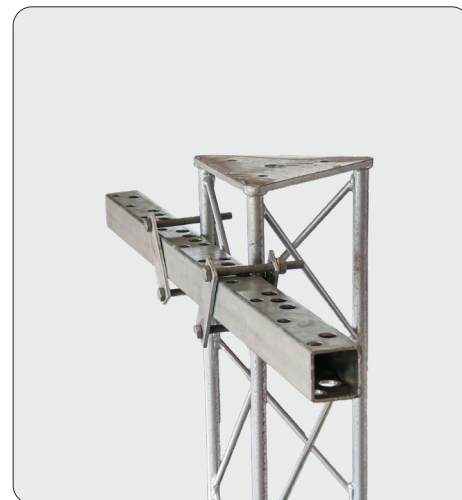
Article	Type	Lenght (mm)	Weight (kg)
1011010	Rotable arm for road fixture	200	3,2



## 7. Floodlight beam

Perforated beam for mounting floodlights on mast sections 230-1160.  
1-3 m long. Dimension 60x60 mm.

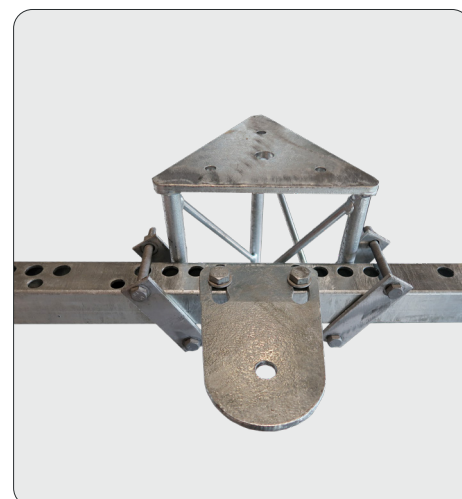
Article	Type	Weight (kg)
11900084	Floodlight beam 1,00 m 60x60	13
11900085	Floodlight beam 2,00 m 60x60	16
11900086	Floodlight beam 3,00 m 60x60	20



## 8. Centre bracket for floodlight on beam

Used to move a centred floodlight outward from the mast.

Article	Type	Length (mm)	Weight (kg)
11900078	Rotable beambracket 8mm/Mid, Short	120	1
11900077	Rotable beambracket 8mm/Mid, Long	250	1



## 9. Arm bracket for heavy floodlight

For stable mounting of floodlights on an all-round lighting arm.

Article	Type	Weight (kg)
11900080	Armbracket for floodlight	4



## 10. Rotable bracket with arms

1-8 arms in long or short version. Long arm 700 mm, short arm 350 mm.

Article	Type	Number of arms	Weight (kg)
1190004arm	Rotable bracket, Long, 4 arms	4 st	47,5
1190005arm	Rotable bracket, Long, 5 arms	5 st	53,5
1190006arm	Rotable bracket, Long, 6 arms	6 st	59,5
1190008arm	Rotable bracket, Long, 8 arms	8 st	71,5
1190001arm	Rotable bracket, Short, 1 arm	1 st	26,5
1190002arm	Rotable bracket, Short, 2 arms	2 st	29,5
1190003arm	Rotable bracket, Short, 3 arms	3 st	32,5
11900044arm	Rotable bracket, Short, 4 arms	4 st	35,5
11900055arm	Rotable bracket, Short, 5 arms	5 st	38,5
11900066arm	Rotable bracket, Short, 6 arms	6 st	41,5
11900068arm	Rotable bracket, Short, 8 arms	8 st	47,5



## 11. Fuse box

Fuse box for mast installation, made of steel and available in three sizes.

Article	Type	Length (mm)	Width (mm)	Weight (kg)
779800	Fusebox for mast	1600	125 mm	9,4
779800L	Fusebox for mast, Large	1600	225 mm	11,3
779800S	Fusebox small for climbing protection	600 mm	165 mm	3,5



## 12. Driver cabinet

For mounting external drivers at the base of the mast. Additional bolt kit is needed for attachment to the intended profile for the mast, Art. 13589004.

Article	Type	Fitting floodlight	Weight (kg)
118	Driver cabinet for Precision, inc 4pcs EUD-320S670BV	Precision 650W	49
119	Driver cabinet for Precision, inc 4pcs EUD-600S420BV	Precision 1000W, 1500W	49
120	Driver cabinet for Precision, inc 6pcs EUD-600S420BV	Precision 1000W, 1500W	61
121	Driver cabinet for Precision, inc 9pcs EUD-600S420BV	Precision 1000W, 1500W	76,6
122	Driver cabinet for Precision, inc 12pcs EUD-600S420BV	Precision 1000W, 1500W	82,18
123	Driver cabinet for Precision, inc 6pcs EUD-600S560BV	Precision 1000W, 1500W	61
127	Driver cabinet for 2pcs 1K2 & 1K8	EXACT 1200 W & 1800 W	55



## 13. Driver cabinet profiles

Profiles for attaching driver cabinets to the mast, completed with bolt kit for attachment to mast Art. 13231163.

Article	Type	Fitting mast section	Weight (kg)
11900088	Ballast cabinet bracket 340-560	340/450, 450/560	3
11900089	Ballast cabinet bracket 690-890	690/890	4



# LIGHT MAST

16-42 M

## 14. Climbing protection

Climbing protection prevents accidents and makes the installation safe.

Article	Type	Lenght (mm)	Weight (kg)
11900011	Climbingprotection 230-3 x 2,5m	2500	25
11900021	Climbingprotection 340-3 x 2,5m	2500	30
11900031	Climbingprotection 450-3 x 2,5m	2500	35
11900041	Climbingprotection 560-3 x 2,5m	2500	40
11900051	Climbingprotection 690-3 x 2,5m	2500	45
11900061	Climbingprotection 890-3 x 2,5m	2500	50
11900071	Climbingprotection 1160-3 x 2,5m	2500	55



## 15. Collision protection

Bent hot-dip galvanized tubes mounted at ground level around the mast to provide protection in the event of a collision. Available in versions for casting in, insertion into foundation, or bolting to a base plate.

Article	Type	Weight (kg)
130	Collision Protection mast	15
131	Collision Protection mast with footplate	15



# LIGHT MAST

16-42 M

## 16. Lightning rod

Metal rod mounted at the top of the mast to capture lightning strikes.

Article	Type	Lenght (mm)	Weight (kg)
121002	Lightning rod 3m	3000	11



# LIGHT MAST

16-42 M

**STRIHL**  
LIGHTING

