

# BILBAO

10-40 W LED, 3000 K / 4000 K, CRI 70

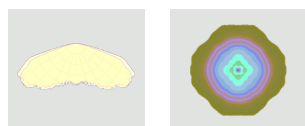
**STRIHL**<sup>®</sup>  
LIGHTING SOLUTIONS



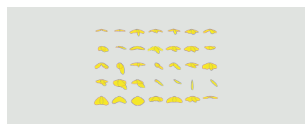
## AREAS OF USE

PARKS AND OUTDOOR ENVIRONMENTS  
SQUARE AND STREET  
WALKWAYS  
PEDESTRIAN, BICYCLE AND MOPED ROUTES  
PARKING PLACES  
BUSINESS CENTERS  
RESIDENTIAL AREAS

## LIGHT DISTRIBUTION



Omnidirectional  
Symmetrical



LEDiL  
catalog

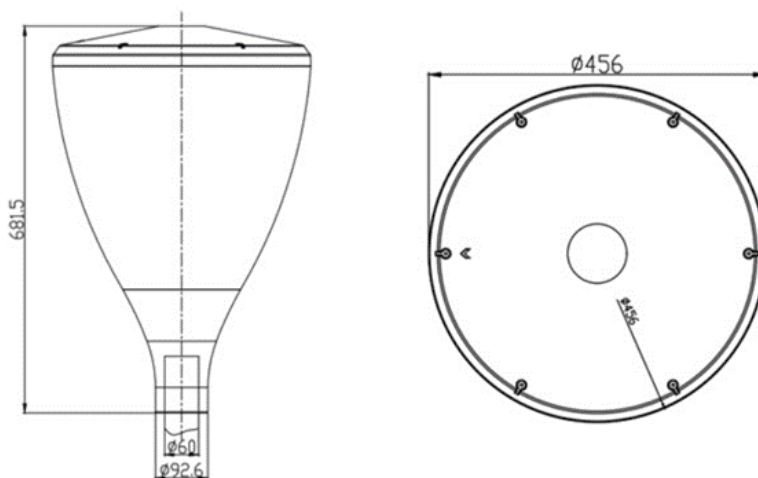
Encapsulated luminaire housing made of powder-coated die-cast aluminum with dome in transparent polycarbonate. Gaskets of age-resistant material and all screws of stainless acid-resistant material. Arched top that prevents snow accumulation.

The light source is located at the top and is well shielded to prevent spill light and contribute to lighting comfort. For best heat dissipation and longevity, the cooling fins are hidden inside the luminaire housing.

## DIMENSIONS, WEIGHT AND ASSEMBLY

Diameter x height (mm)	456 x 681,5
Weight (kg)	10,1
Wind area (m2)	0,27
Mounting method	Post top - Ø 60 mm

» Size and weight may vary depending on configuration.



## GENERAL DATA

<b>Certificates</b>	Meets requirements according to EN-60598-2-3
<b>Recommended mounting height</b>	3-6 m based on power
<b>Lowest mounting height</b>	3 m to ensure photobiological safety
<b>Pre-assembled cable</b>	6 m MPC
<b>Optional</b>	External surge protection 10 kV, CLO

## PERFORMANCE

<b>Material</b>	High pressure die cast aluminium, pressed steel sheet and details in stainless steel. Cup in transparent polycarbonate.
<b>Surface treatment</b>	Oven-hardened powder coating
<b>Protection rating</b>	IP66
<b>Vandal class</b>	IK09
<b>Standard color</b>	Dark grey RAL 7016 *
<b>Optics</b>	Lenses

» \* Other RAL colors on request.

## ELECTRICAL DATA

<b>Light source</b>	LED
<b>Driver programmable version</b>	Inventronics EBS-series
<b>Number of LED's</b>	32 pcs
<b>Control</b>	0-10 V, DALI, DALI2
<b>surge protection, Transient Protection (class I)</b>	10 kV (Extended external 10 kV protection is available as an option)
<b>surge protection, Transient Protection (class II)</b>	6 kV (Extended external 10 kV protection is available as an option)
<b>Night dim.</b>	SP1, SP2 alt. as required
<b>Lifetime LED's</b>	L90B10 100,000h * L80B10 140,000h * L70B10 175,000h * IESNA LM80
<b>Temperature range during operation</b>	-40° to +55 °C
<b>Mains voltage</b>	220-240 V AC/50-60 Hz
<b>Electrical safety class</b>	I EU alternative II EU

» \* Depending on power and ambient temperature.

## LIGHTING TECHNICAL DATA

<b>Color temperature (K)</b>	3000 K (warm white 730) as standard 4000 K (neutral white 740) on order
<b>Color rendering (CRI)</b>	CRI 70 (warm white 730) CRI 70 (neutral white 740)
<b>Light output (lm/W)</b>	90-125 (warm white 730) 100-130 (neutral white 740)
<b>Light distribution</b>	Symmetrical, LEDiL
<b>SDCM</b>	<5

» \* Depending on the configuration of the luminaire.

## RECOMMENDED POLES

### Design poles

Article	Type	H above ground (m)	Bottom Ø (mm)	Top/arm Ø (mm)	Color	Weight (kg)
3164	Nobel Straight, 3m	3	108	60	RAL 7016	29
3163	Nobel Straight, 3,5m	3,5	108	60	HDG	33
3158	Nobel Straight, 4m	4	108	60	RAL 7016	37
3165	Nobel Straight, 5m	5	108	60	RAL 7016	43

### Stepped poles

Article	Type	H above ground (m)	Bottom Ø (mm)	Top/arm Ø (mm)	Color	Weight (kg)
3155	C30 E0	3	108	60	HDG	27
3156	C40 E0	4	108	60	HDG	31
3157	C50 E0	5	108	60	HDG	36
313157Black	C50 E0, Black RAL 9005	5	108	60	RAL 9005	36

### Composite poles

Article	Type	H above ground (m)	Bottom Ø (mm)	Top/arm Ø (mm)	Color	Weight (kg)
300350-7001	Composite pole conical 3m, Ø108	3	108	60	RAL 7001	8
300450-7001	Composite pole conical 4m, Ø108	4	108	60	RAL 7001	11
300550-7001	Composite pole conical 5m, Ø108	5	108	60	RAL 7001	16
300650-7001	Composite pole conical 6m, Ø108	6	108	60	RAL 7001	21