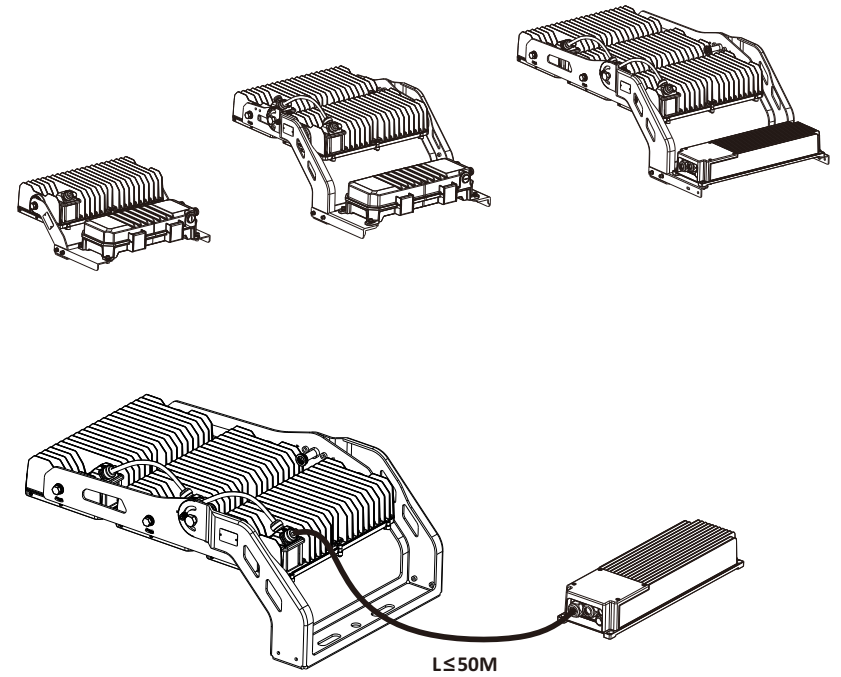


# EXACT

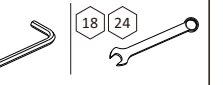
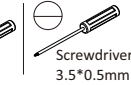
# STRIHL

## Installation Instructions



The cable length is supplied up to 50m. For lengths above 50m, please consult the supplier.

(toolkit not provided)



**READ AND FOLLOW ALL SAFETY INSTRUCTIONS.  
SAVE THE MANUAL FOR FUTURE REFERENCE!**

**⚠ WARNING**

**To avoid electric shock:**

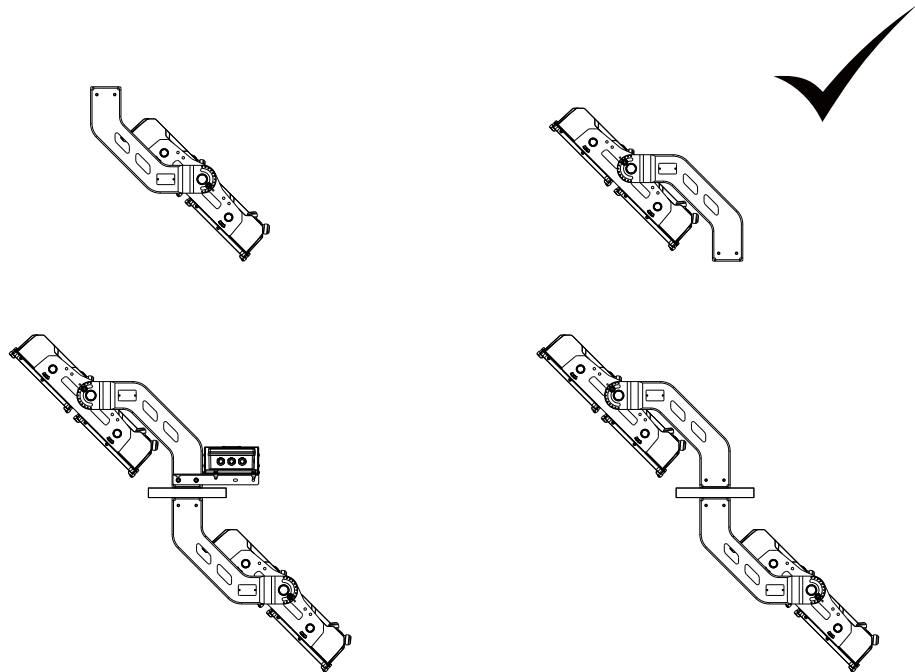
Installation and wiring of luminaire must be in accordance with all applicable local codes.  
Installation, inspection, and maintenance of luminaires should be performed by a qualified electrician.  
**DO NOT** make or alter any open holes in the luminaire.  
**DO NOT** modify the luminaire.  
**DO NOT** install damaged product.  
Make sure electrical power is OFF before and during installation and maintenance.  
Make sure the equipment is properly grounded.  
Make sure the supply voltage is same as the rated fixture voltage.

**To perform maintenance:**

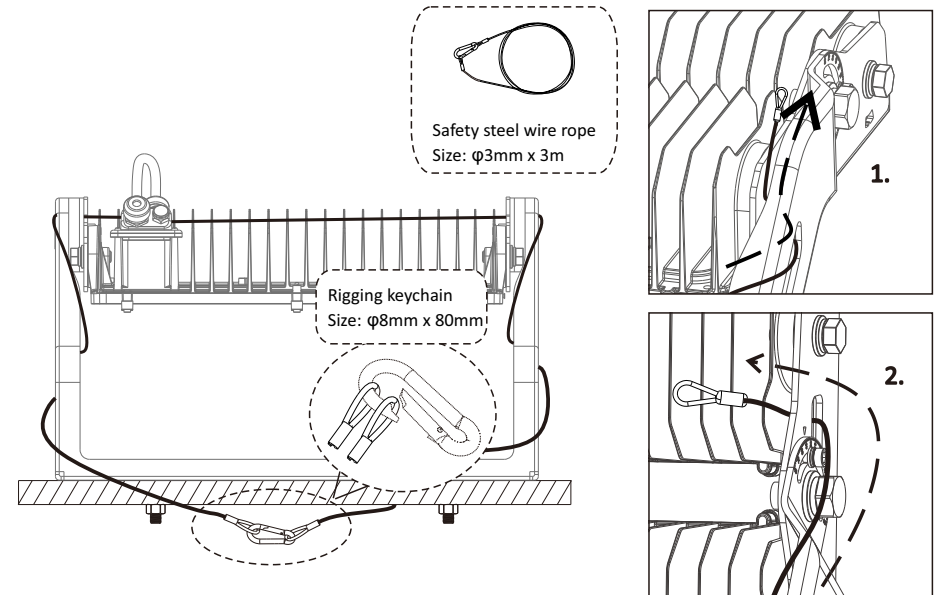
Only use luminaire in its intended location.  
Make sure the luminaire is not covered with material that will prevent convection or conduction cooling.  
It's suggested to perform visual, electrical, and mechanical inspections on a regular basis and cleaned with a non-aggressive product.  
Any deterioration in the cables should be noted and reported to a suitably qualified electrician who will advise an appropriate course of action.  
The Surge Protective Device (SPD) will need replacing when it comes to the end of its useful life. This should be checked for operation during the annual maintenance.

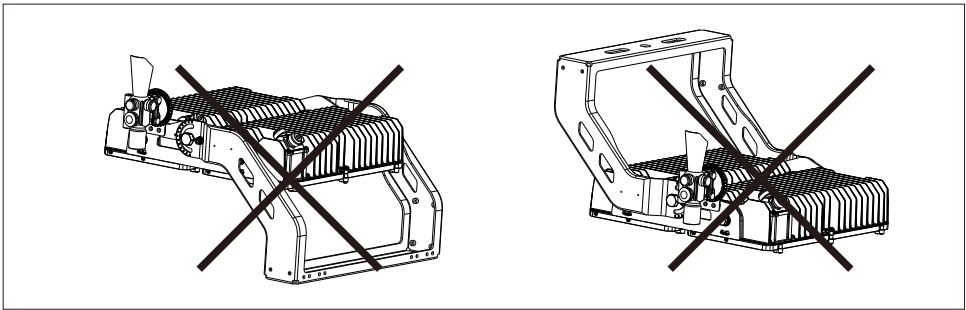
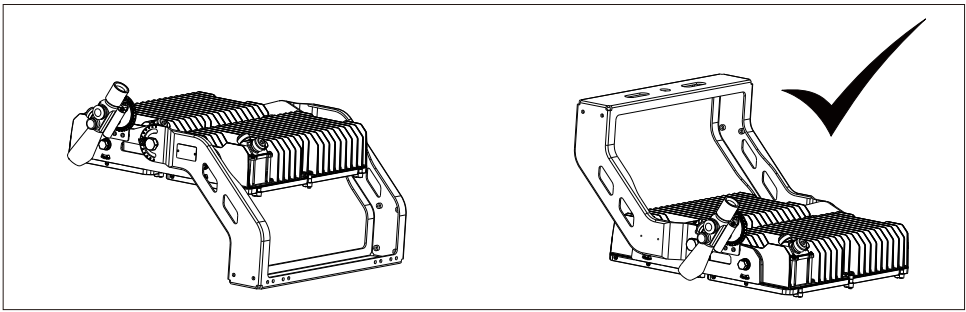
---

**POSITIONS ALLOWED**

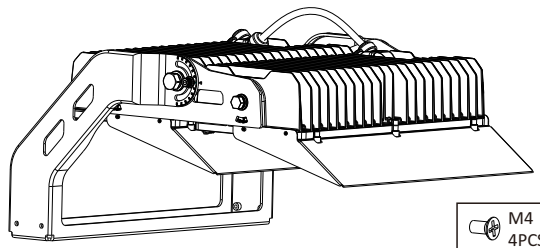
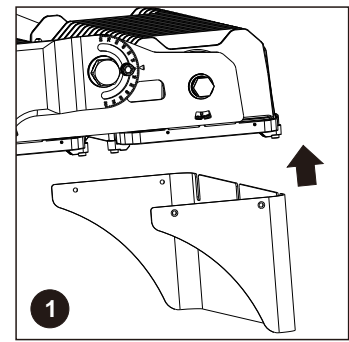
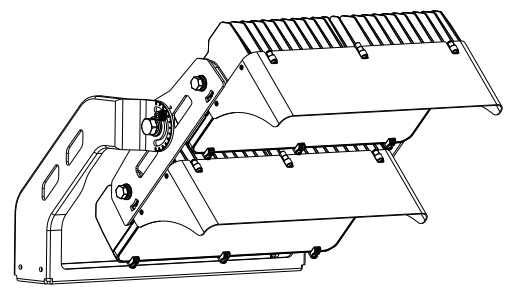


**SAFETY ROPE MOUNT**

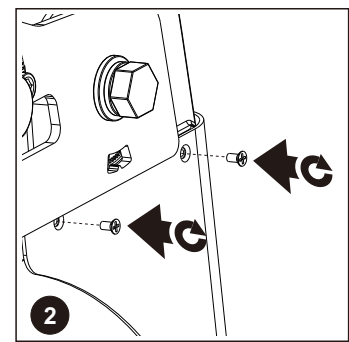




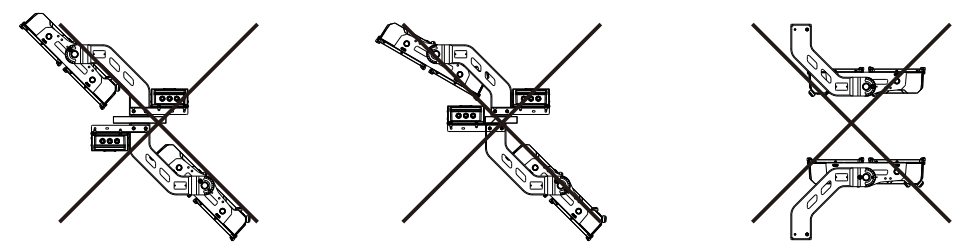
**VISOR MOUNT**



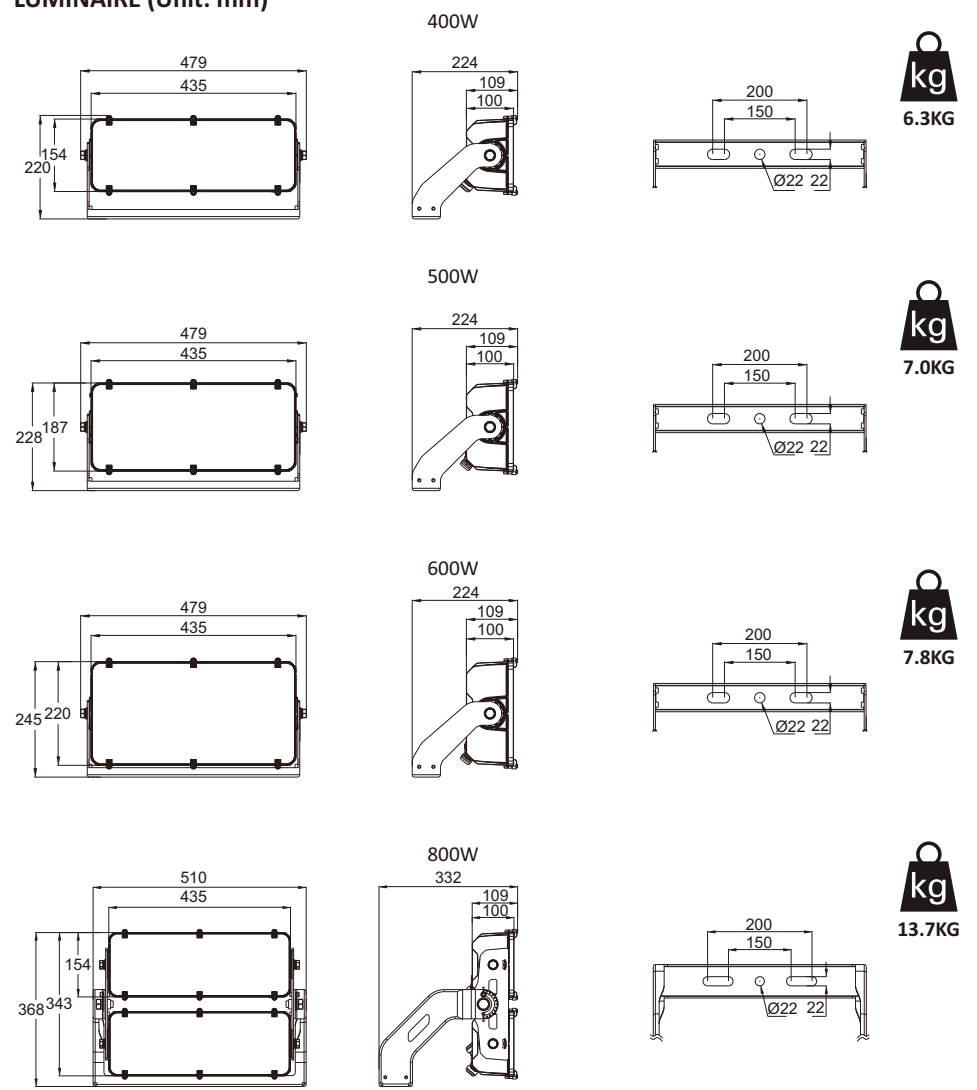
M4  
4PCS  
1.2 N.m

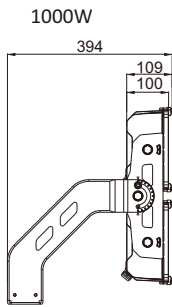
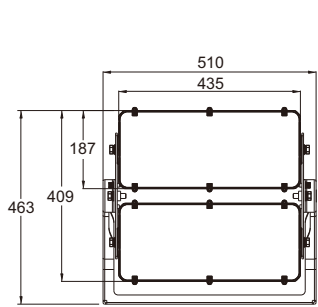


**POSITIONS NOT ALLOWED**

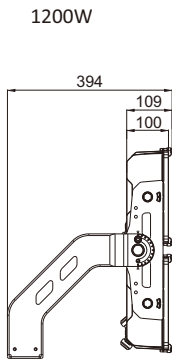
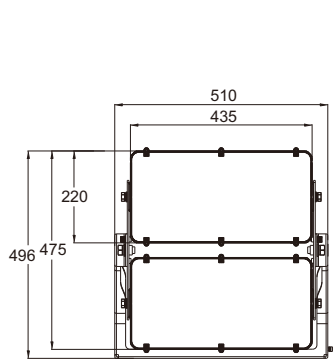
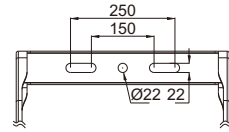


**LUMINAIRE (Unit: mm)**

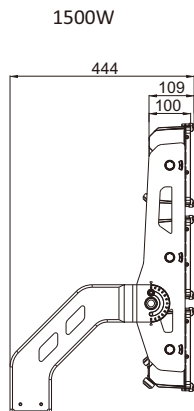
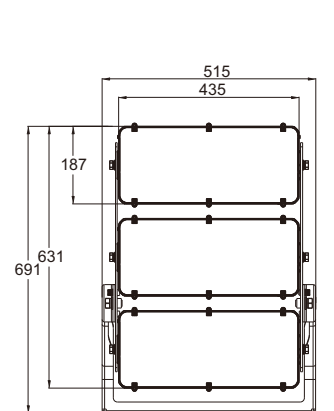
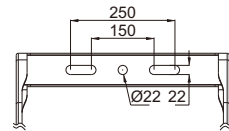




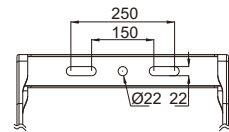
**kg**  
16.4KG



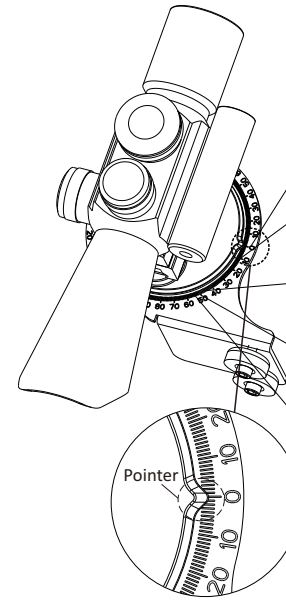
**kg**  
18.8KG



**kg**  
24.8KG



400W-600W



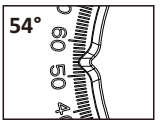
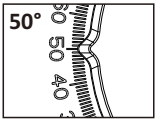
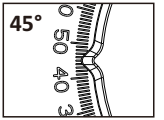
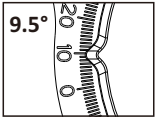
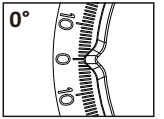
F04011X(SYM 11°), F04015X(SYM 14.4°)  
F04045X(SYM 42°), F04003Z(SYM 30°)  
F04004Z(SYM 45°), F04006Z(SYM 60°)

F04002X(ASYM INTENSE 9.5°)

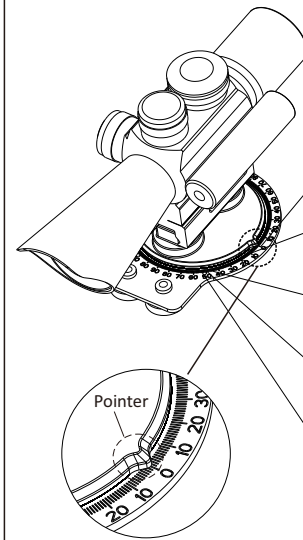
F04001Z(ASYM INTENSE 45°)

F04001X(ASYM INTENSE 50°)

FO4013 (ASYM INTENSE 54°)  
FO4014 (ASYM INTENSE 54°)



800W-1800W



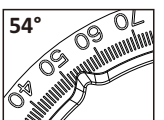
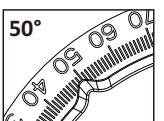
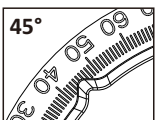
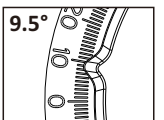
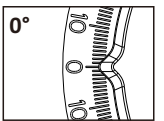
F04011X(SYM 11°), F04015X(SYM 14.4°)  
F04045X(SYM 42°), F04003Z(SYM 30°)  
F04004Z(SYM 45°), F04006Z(SYM 60°)

F04002X(ASYM INTENSE 9.5°)

F04001Z(ASYM INTENSE 45°)

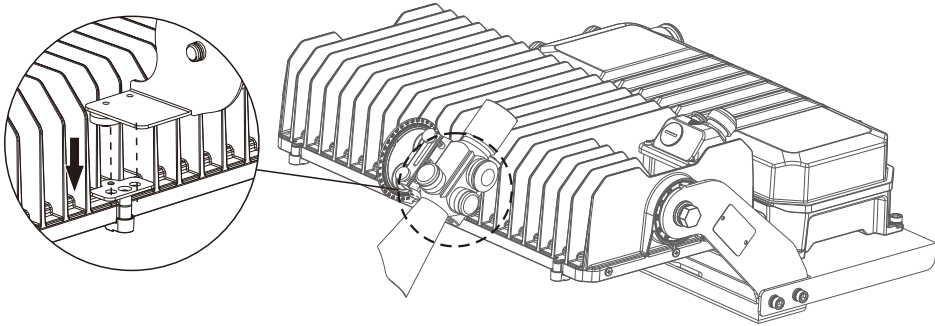
F04001X(ASYM INTENSE 50°)

FO4013 (ASYM INTENSE 54°)  
FO4014 (ASYM INTENSE 54°)



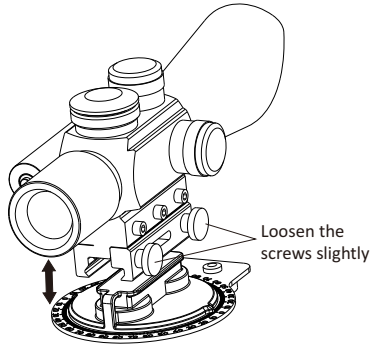
## AIMING DEVICE MOUNT

400W-600W

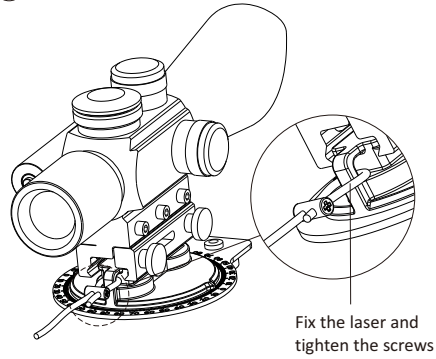


800W-1800W

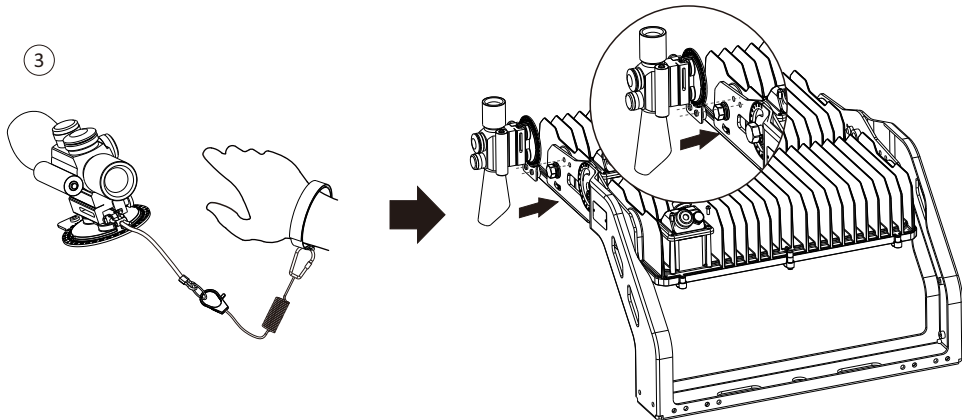
①



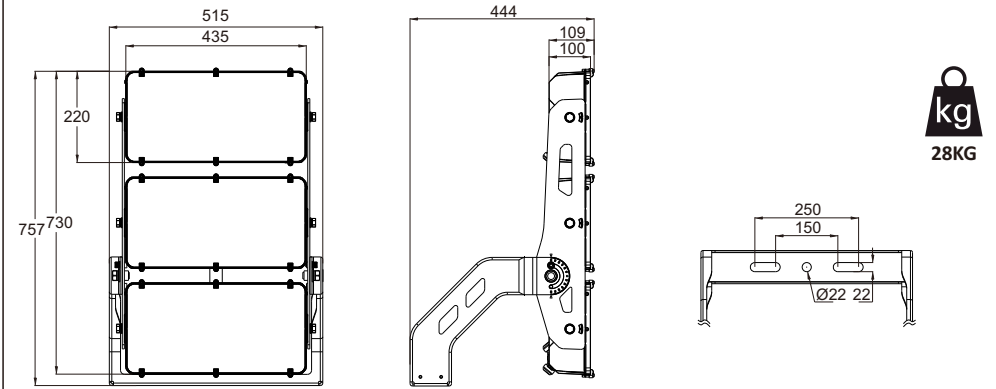
②



③



1800W



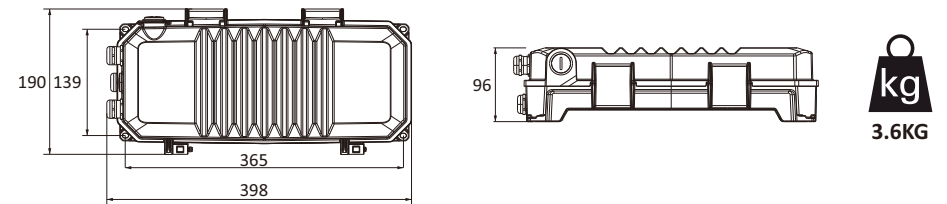
### Luminaire Windage Area(SCx)

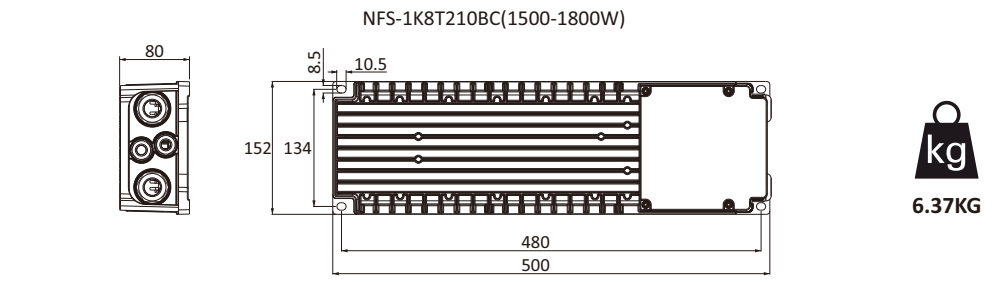
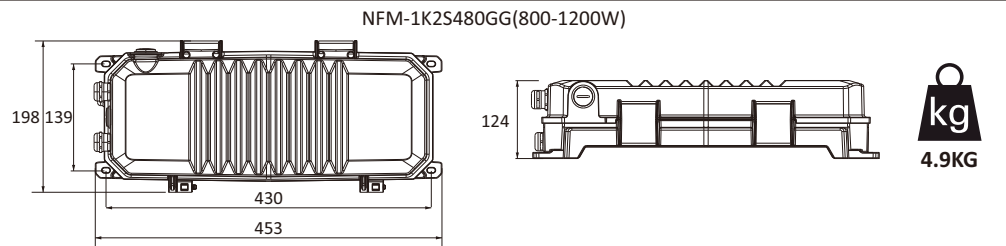
Power	SCX0°*	SCX15°*	SCX30°*	SCX45°*	SCX60°*	SCX75°*	SCX90°*
400W	0.02m <sup>2</sup>	0.04m <sup>2</sup>	0.05m <sup>2</sup>	0.07m <sup>2</sup>	0.08m <sup>2</sup>	0.08m <sup>2</sup>	0.09m <sup>2</sup>
500W	0.02m <sup>2</sup>	0.05m <sup>2</sup>	0.07m <sup>2</sup>	0.08m <sup>2</sup>	0.09m <sup>2</sup>	0.10m <sup>2</sup>	0.11m <sup>2</sup>
600W	0.02m <sup>2</sup>	0.05m <sup>2</sup>	0.07m <sup>2</sup>	0.09m <sup>2</sup>	0.11m <sup>2</sup>	0.12m <sup>2</sup>	0.12m <sup>2</sup>
800W	0.03m <sup>2</sup>	0.07m <sup>2</sup>	0.11m <sup>2</sup>	0.15m <sup>2</sup>	0.17m <sup>2</sup>	0.19m <sup>2</sup>	0.19m <sup>2</sup>
1000W	0.03m <sup>2</sup>	0.09m <sup>2</sup>	0.13m <sup>2</sup>	0.18m <sup>2</sup>	0.20m <sup>2</sup>	0.21m <sup>2</sup>	0.22m <sup>2</sup>
1200W	0.03m <sup>2</sup>	0.09m <sup>2</sup>	0.15m <sup>2</sup>	0.20m <sup>2</sup>	0.24m <sup>2</sup>	0.25m <sup>2</sup>	0.26m <sup>2</sup>
1500W	0.03m <sup>2</sup>	0.12m <sup>2</sup>	0.19m <sup>2</sup>	0.27m <sup>2</sup>	0.30m <sup>2</sup>	0.33m <sup>2</sup>	0.34m <sup>2</sup>
1800W	0.03m <sup>2</sup>	0.13m <sup>2</sup>	0.22m <sup>2</sup>	0.31m <sup>2</sup>	0.35m <sup>2</sup>	0.38m <sup>2</sup>	0.40m <sup>2</sup>

\* These data refer to the worst case at indicated angle

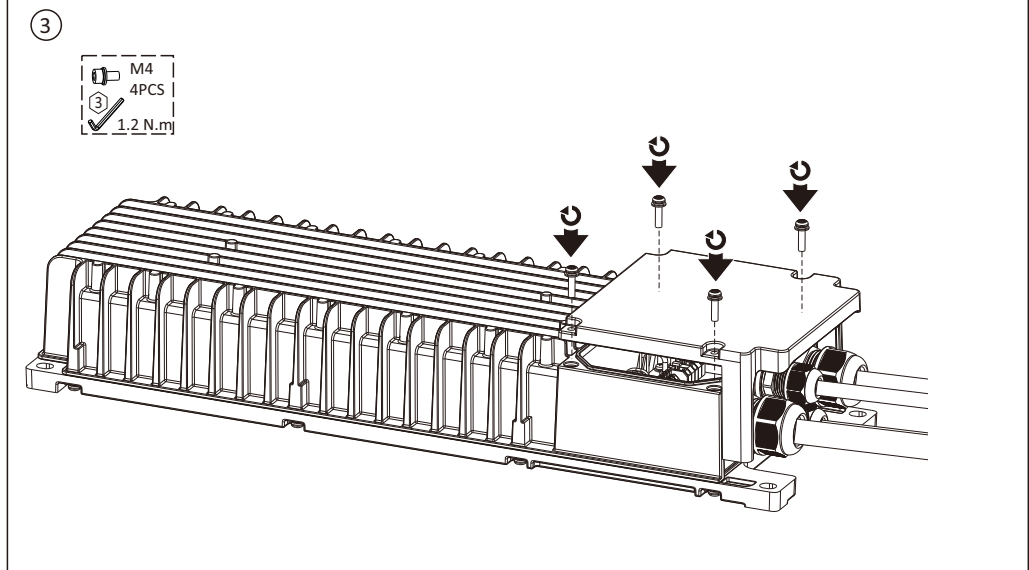
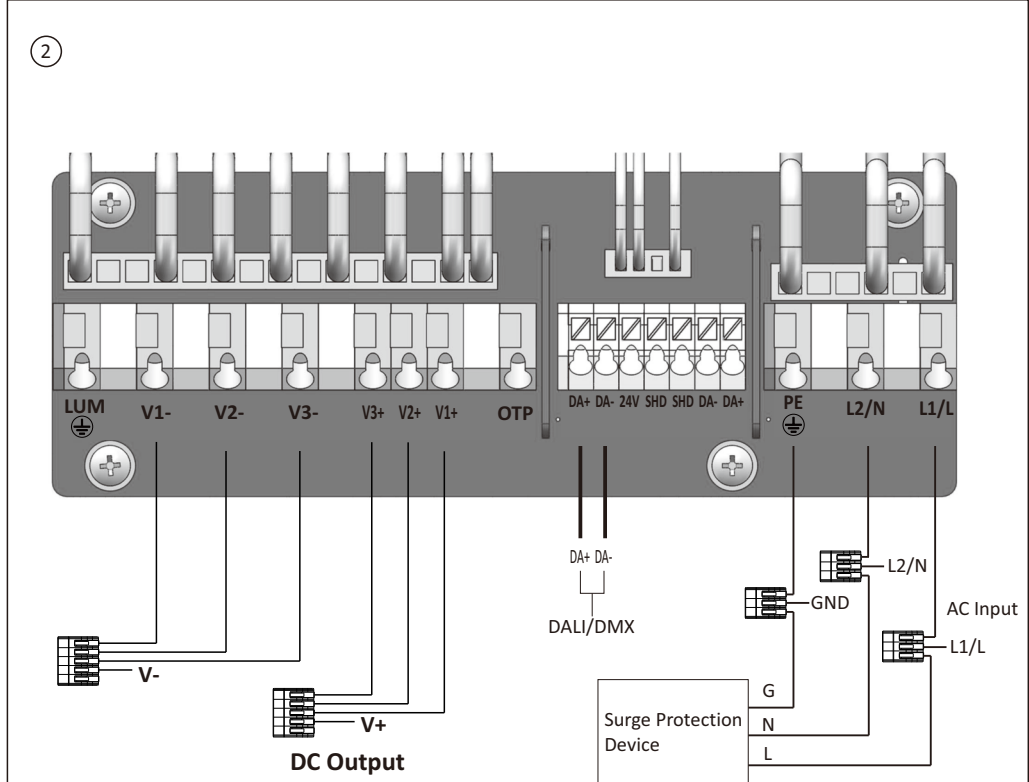
### DRIVER BOX (Unit: mm)

NFM-680S270GG(400-600W)

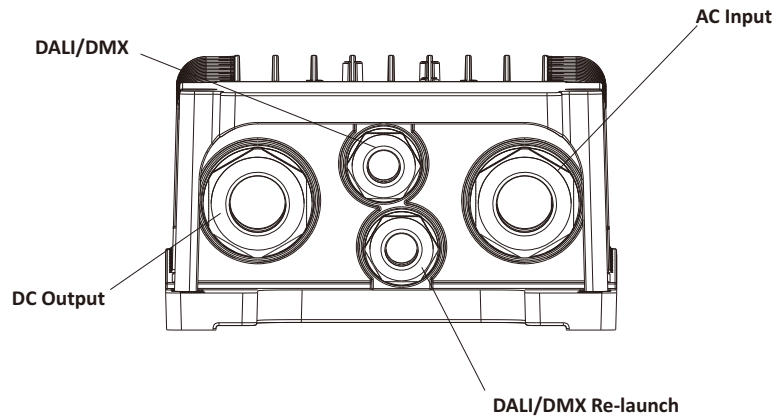




Driver Model	Input voltage	MCB Type / Number of Lamps							
		B	B	B	B	C	C	C	C
		10A	16A	20A	25A	10A	16A	20A	25A
400-600W	220V	1	2	3	4	2	3	4	5
	277V	2	3	4	5	2	4	5	6
	400V	1+1+1	3+3+3	3+3+3	4+4+4	2+2+2	3+3+3	4+4+4	5+5+5
	480V	2+2+2	3+3+3	4+4+4	5+5+5	2+2+2	4+4+4	5+5+5	6+6+6
800W	220V	1	2	2	3	1	2	3	4
	277V	1	2	3	4	2	3	4	5
	400V	1+1+1	2+2+2	2+2+2	3+3+3	1+1+1	2+2+2	3+3+3	4+4+4
	480V	1+1+1	2+2+2	3+3+3	4+4+4	2+2+2	3+3+3	4+4+4	5+5+5
1000-1200W	220V	1	1	2	2	1	1	2	3
	277V	1	2	2	3	1	2	2	3
	400V	1+1+1	1+1+1	2+2+2	2+2+2	1+1+1	2+2+2	2+2+2	3+3+3
	480V	1+1+1	2+2+2	2+2+2	3+3+3	1+1+1	2+2+2	3+3+3	3+3+3
1500-1800W	220V	0	1	1	1	0	1	1	2
	277V	0	1	1	2	1	1	2	2
	400V	0	1+1+1	1+1+1	1+1+1	0	1+1+1	1+1+1	2+2+2
	480V	0	1+1+1	1+1+1	2+2+2	1+1+1	1+1+1	2+2+2	2+2+2



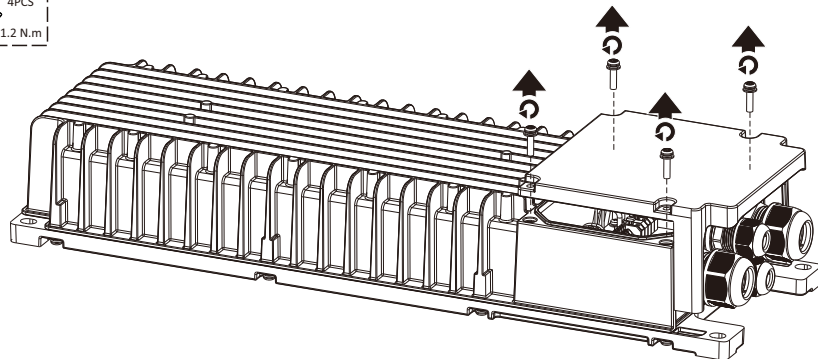
1500W-1800W



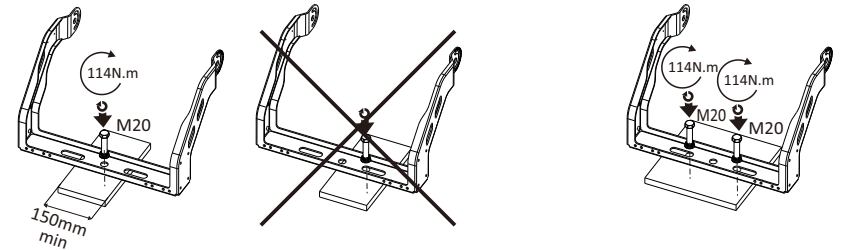
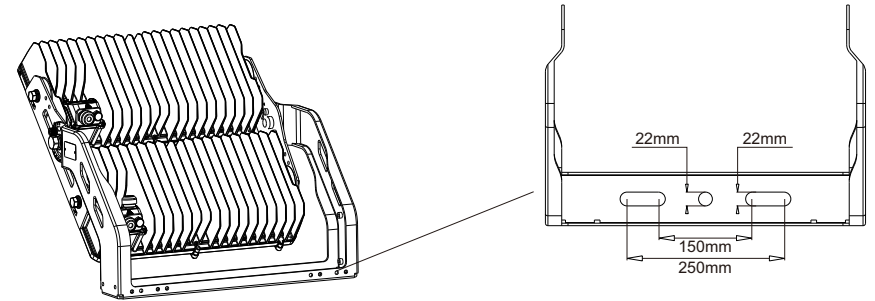
Connection	Cable Gland	Torque (N.m)	Cable Diameter (mm)	Cable AWG	Cable Section (mm <sup>2</sup> )	Strip Length (mm)
AC Input	M25	5.5	7-12	16-14	1.5-2.5	9-10
DC Output	M25	5.5	7-12	18-14	1.0-2.5	
DAL/DMX	M16	2.5	6.5-10	18-16	0.75-1.5	
DALI/DMX Re-launch	M16	2.5	6.5-10	18-16	0.75-1.5	

1

- M4  
4PCS
- 1.2 N.m



OVERSLUNG INSTALLATION



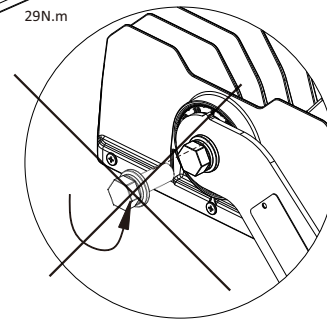
! 1xM20 with extra large washer(not provided)

! 2xM20 with extra large washer(not provided)

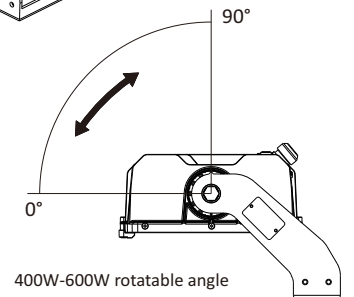
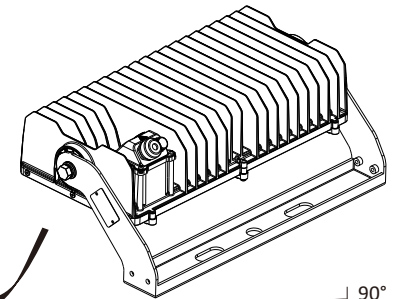
! In case of using only one fixation point and if the luminaire is higher >3m, the use of a 2nd fixing security system is needed.

400W-600W

- 18
- 29N.m



\* Don't pull out the bolt when you rotate the luminaire



400W-600W rotatable angle

800-1800W



114N.m

800W

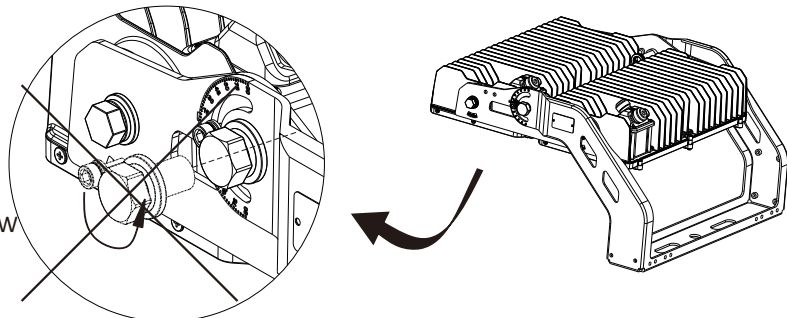


2.5N.m

1000W-1800W



8N.m



Don't pull out the bolt when you rotate the luminaire

800W-1800W rotatable angle



### UNDERSLUNG INSTALLATION

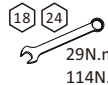
Loosen small and large bolts on both sides, but only pull out small bolts

Small bolts

Large bolts

\* DO NOT PULL OUT LARGE BOLTS

400W-600W



29N.m/  
114N.m

800W

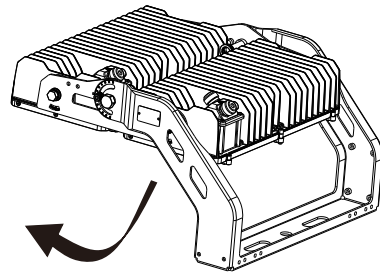


2.5N.m

1000W-1800W



8N.m

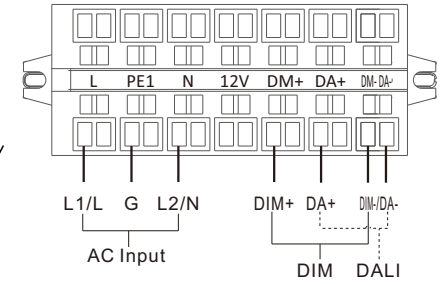
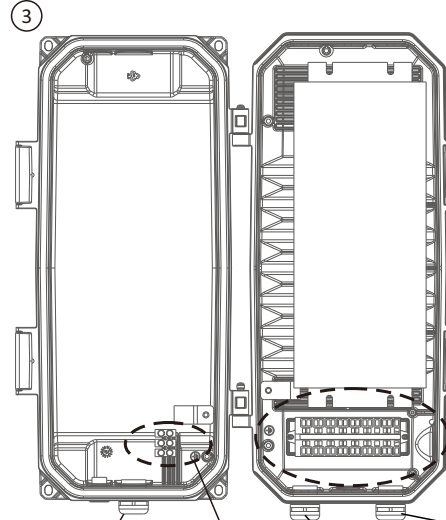
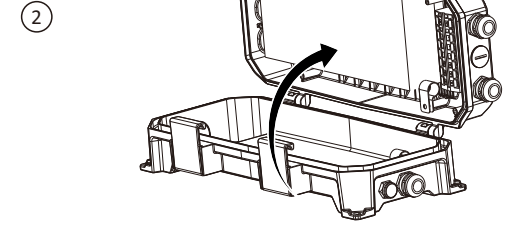
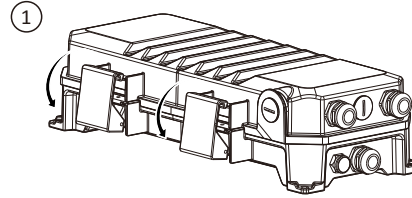


180° 0°

Rotate the bracket as shown below

### Wiring driver box

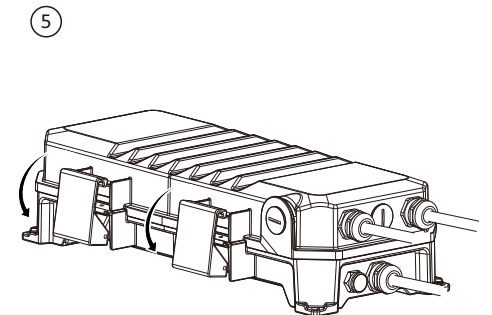
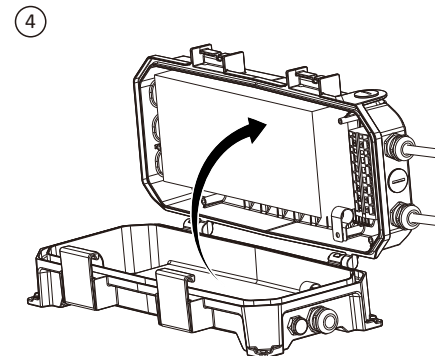
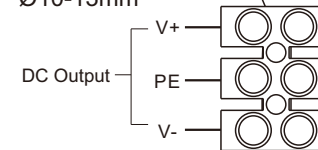
400W-1200W



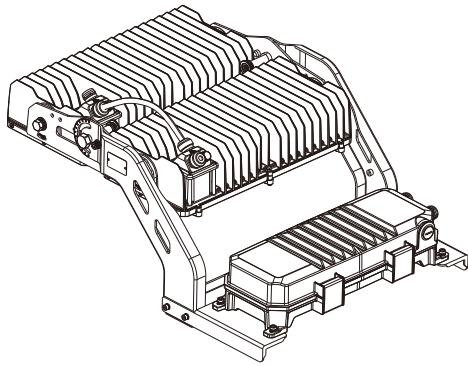
DIM/DALI Line diameter: Ø5~8mm

DC Line diameter: Ø10-13mm

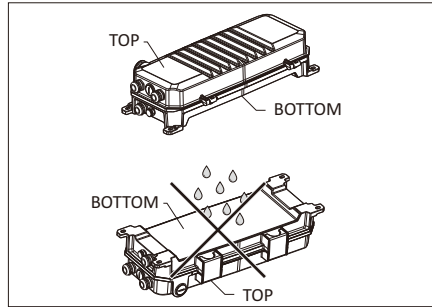
AC Line diameter: Ø10-13mm



3

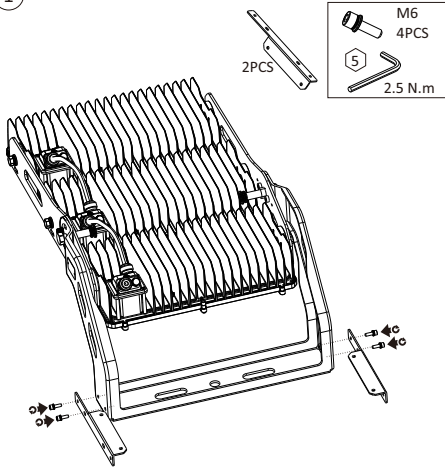


**!** The driver box cannot be upside down.

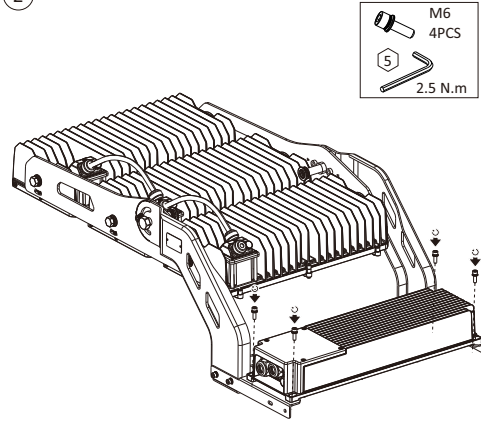


1500-1800W

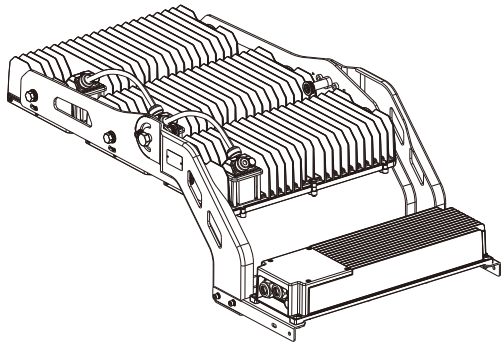
1



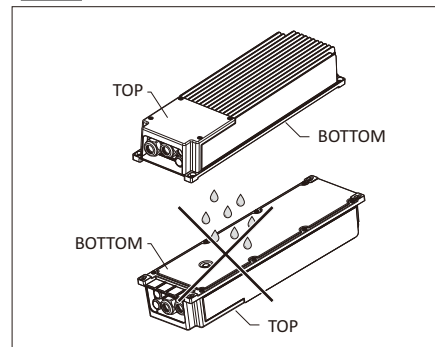
2



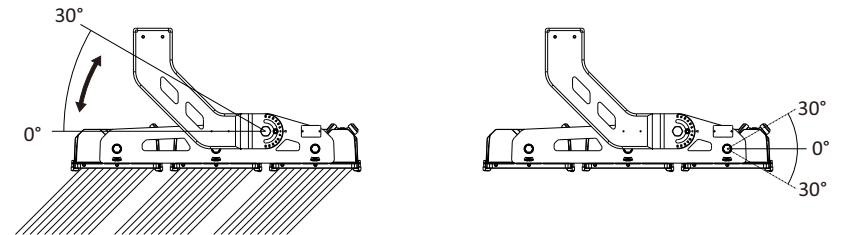
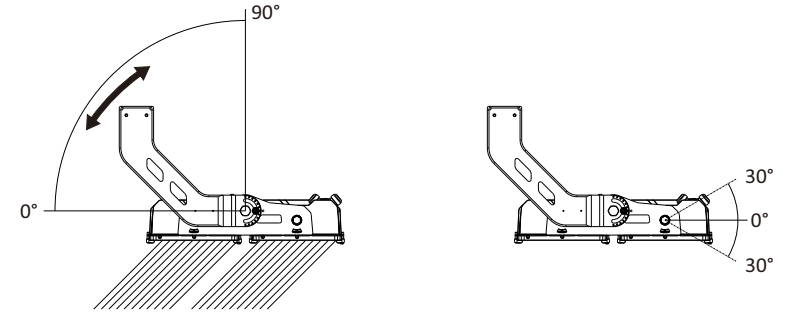
3



**!** The driver box cannot be upside down.



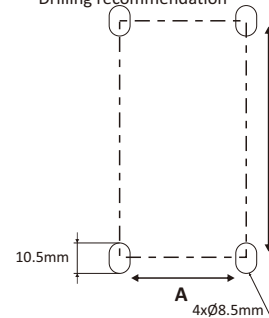
- 24 114N.m
- 800W 5 2.5N.m
- 1000W-1800W 6 8N.m



### REMOTE DRIVER BOXES INSTALLATION

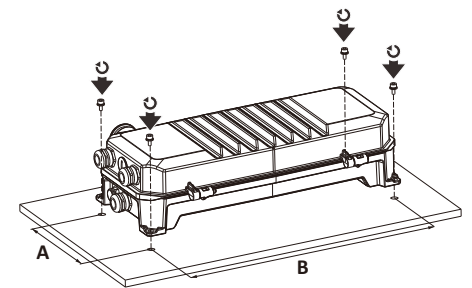
#### A. Installation of driver boxes on surface

Drilling recommendation



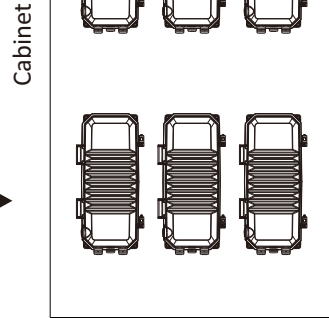
Driver Model	NFM-680S270GG	NFM-1K2S480GG	NFS-1K8T210BC
Distance A	139mm		134mm
Distance B	365mm	430mm	480mm
Screws (not provided)	4xM5		4xM6

- 4 2N.m
- 5 2.5N.m



## B. Installation of driver boxes in cabinet

Each driver box in the cabinet has to be in vertical position.



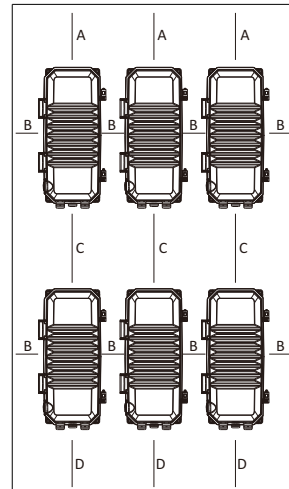
It is highly recommended to select a painted cabinet enclosure with high reflectance ratio to protect from solar radiant energy.



An active cooling can be added in the cabinet to guarantee a maximum temperature of 45°C all along the year.

The distances between driver boxes or wall have to be higher than:

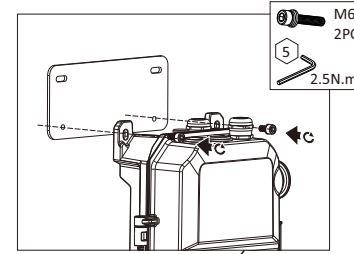
ITEM	DISTANCE
A	Min 80 mm
B	Min 80 mm
C	Min 120 mm
D	Min 150 mm



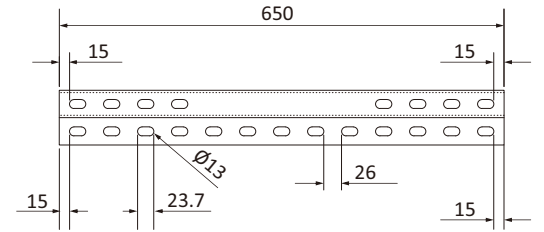
If you cannot follow the instructions, a thermal study must be done in order to respect Tc of the drivers below Tc max, Tc of the driver must be checked.

## C. Installation of driver boxes on Rack

Install spacers on the 1200W driver to match the length of the 1800W driver for easy mounting.

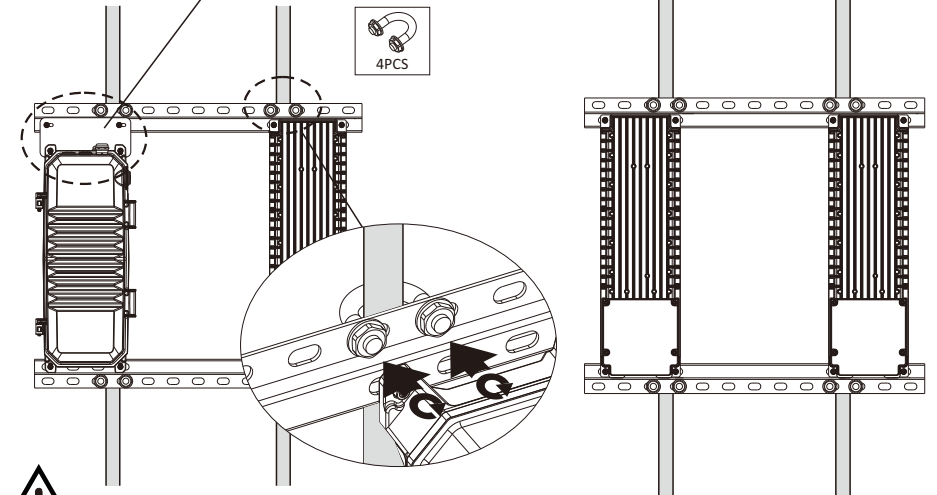


### Rack mount dimensions(mm)



1200W & 1800W

1800W



## INSTALLATION OF DRIVER BOXES ON THE LUMINAIRE

400-1200W

