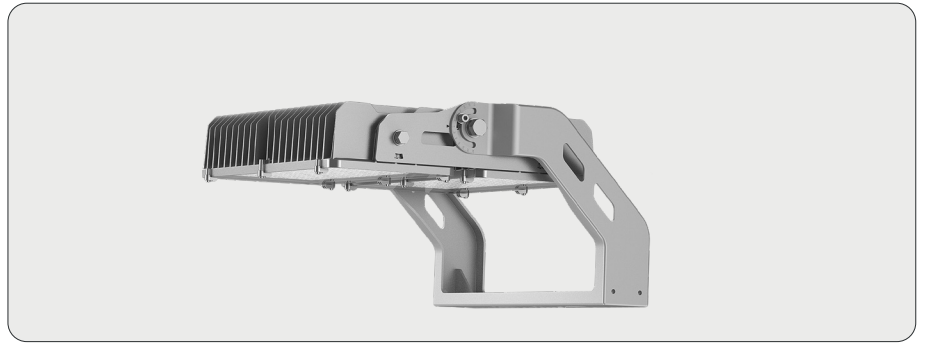


# EXACT

1200 W LED, 4000 K / 5700 K, CRI 70



## APPLICATIONS

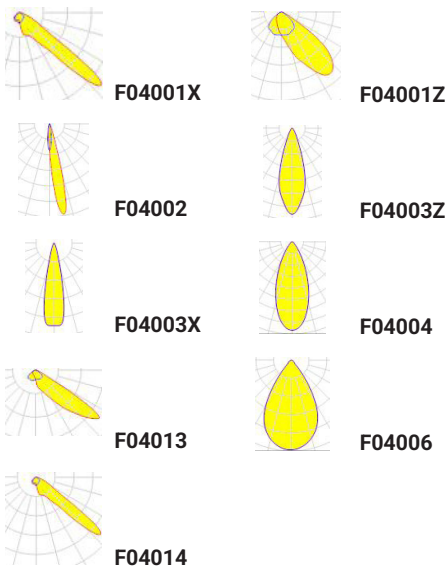
ARENAS  
BANDY RINKS & ICE RINKS  
CAR PARKS  
FOOTBALL PITCHES & SPORTS GROUNDS  
FREIGHT & INTERMODAL TERMINALS  
INDUSTRIAL AREAS  
MULTI-SPORT ARENAS  
NEIGHBOURHOOD SPORTS GROUNDS  
OUTDOOR ENVIRONMENTS  
PORT AREAS  
SKI & ILLUMINATED TRAILS  
SKI SPORT FACILITIES

EXACT series floodlights feature individually adjustable LED modules that minimise both weight and wind area. The luminaire housing with integrated bracket is manufactured from die-cast aluminium and finished with stove-enamelled powder coating for a robust and corrosion-resistant construction. Long service life is ensured by heavy-duty cooling fins that efficiently dissipate heat from the LED chips, reliable gaskets made from age-resistant material, stainless acid-resistant screws and 20 kV surge protection as standard. To meet specific requirements and site conditions, the product can be configured with either internal or external drivers.

## DIMENSIONS, WEIGHT AND MOUNTING

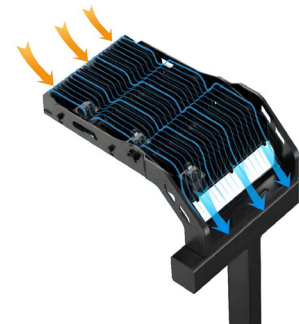
Length x width x height	510 x 560 x 298 mm
Floodlight weight	20 kg
Driver weight (incl. box)	5 kg

## LIGHT DISTRIBUTION



## WIND AREA

0°	0,07 m <sup>2</sup>
10°	0,07 m <sup>2</sup>
20°	0,11 m <sup>2</sup>
30°	0,15 m <sup>2</sup>
40°	0,18 m <sup>2</sup>
50°	0,21 m <sup>2</sup>
60°	0,24 m <sup>2</sup>
70°	0,25 m <sup>2</sup>
80°	0,26 m <sup>2</sup>
90°	0,26 m <sup>2</sup>



## GENERAL DATA

<b>Compliance with applicable standards</b>	EN 60598-1:2015+A1, EN 60598-2-3:2003+A1, EN 62493:2015, ENEC
<b>EMC</b>	Driver/luminaire compliant with EN55015, EN61000-2-3, EN61547
<b>Environmental declaration</b>	EPD
<b>Recommended mounting height</b>	10-40 m depending on wattage
<b>Minimum mounting height</b>	5 m ensure photobiological safety
<b>Pre-installed cable</b>	Yes
<b>Options</b>	Glare shield, aiming device, external Zhaga box

## CONSTRUCTION

<b>Material</b>	High-pressure die-cast aluminium with components in stainless steel
<b>Surface treatment</b>	Powder coating
<b>Corrosivity class</b>	C5
<b>Ingress protection class</b>	IP66
<b>Impact protection class</b>	IK08
<b>Standard colour</b>	Silver RAL 9006 *
<b>Mounting</b>	Integrated bracket for fitting to floodlight beam

\* Other RAL colours on request.

## ELECTRICAL DATA

<b>Wattage</b>	1200 W
<b>Control</b>	DALI-2, DMX
<b>Surge protection, transient protection (Class I)</b>	20 kV (extended external 10 kV protection available as an option)
<b>Surge protection, transient protection (Class II)</b>	10 kV (extended external 10 kV protection available as an option)
<b>Night dimming</b>	N/A
<b>LED service life</b>	L90B10 100,000 h / L80B10 120,000 h / L70B10 155,000 h (IESNA LM80) *
<b>Operating temperature range</b>	-40° to +35 °C
<b>Mains voltage</b>	220-240 V AC/50-60 Hz
<b>Electrical safety class</b>	I EU

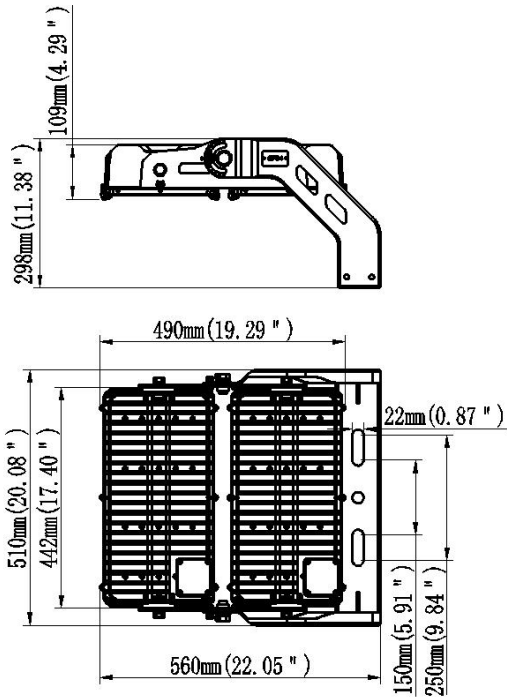
\* Depending on wattage and ambient temperature.

## PHOTOMETRIC DATA

<b>Light source</b>	LED
<b>Optics</b>	Lenses
<b>Colour temperature (K)</b>	4000 K / 5700 K as standard, 3000 K on request
<b>Colour rendering (CRI)</b>	CRI 70 as standard, CRI 80 / CRI 90 on request
<b>Luminous efficacy (lm/W)</b>	100-130 (3000 K), 130-150 (4000 K), 135-155 (5700 K)
<b>Light distribution</b>	F04001X, F04001Z, F04002, F04003X, F04003Z, F04004, F04006, F04013, F04014
<b>SDCM</b>	≤5

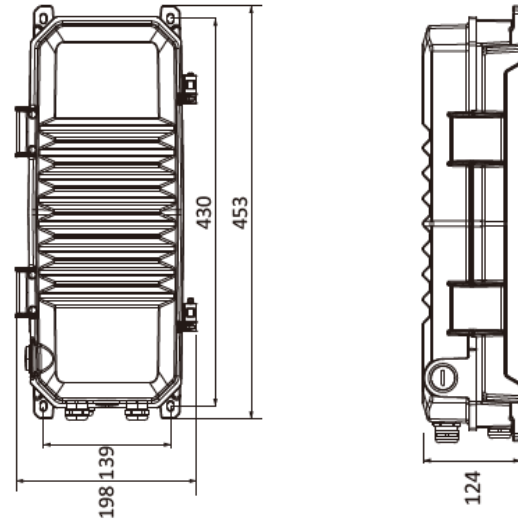
## Floodlight

EXACT 1200 W




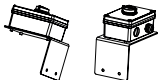


## Driver

NFM-1K2S480GG (800 - 1200W)



## ACCESSORIES

Article	Designation	Description
2270	 Aiming device + 1m bracket for Spotter and Exact	Aiming device for adjusting luminaire angle
2245	 Glareprotection L130 / visor for Exact symmetrical lenses	Glare shield for F04002, F04003X, F04003Z, F04004, F04006
2246ADJ	 Glareprotection L39 /adjustable visor for Exact	Glare shield for F04001X, F04001Z, F04013, F04014
159	 Zhaga connector for mast installation including bracket	External Zhaga box