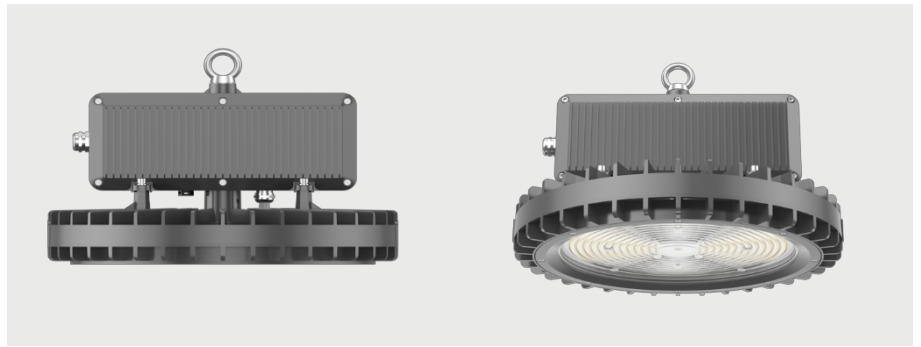
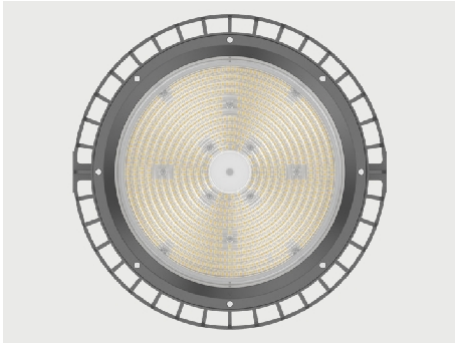


# HIGH 1

100/150/200 W, 4000 K, CRI 80

**STRIHL**  
LIGHTING

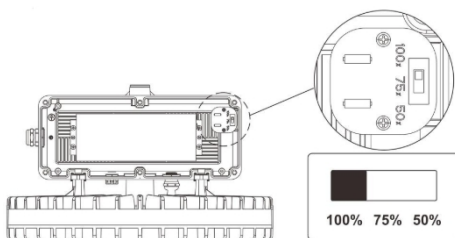


## AREAS OF APPLICATION

- Warehouses
- Industrial facilities
- Exhibition centers
- Shopping centers
- Sports halls
- Airports
- Mining facilities
- Steel mills
- Paper mills

## ADVANTAGES

- **Withstands extreme temperatures**
- **IP66 & IK10** - protection against dust, water and shocks
- **Two-in-one design** - ceiling luminaire and floodlight in one unit
- **Prepared for Zhaga socket** - integrate smart control systems
- **Energy efficient** - light output up to 190 lm/W
- **Adjustable power** via DIP-switch

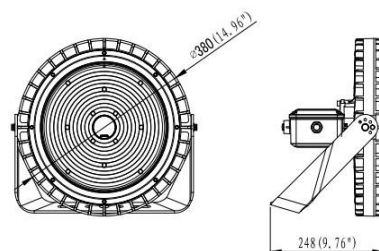
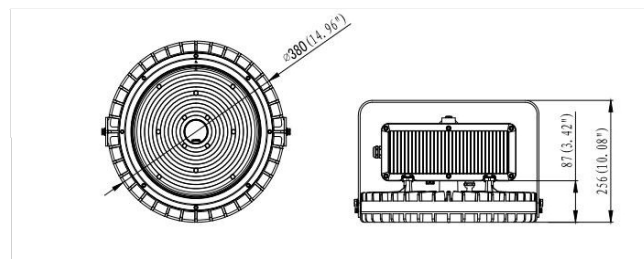
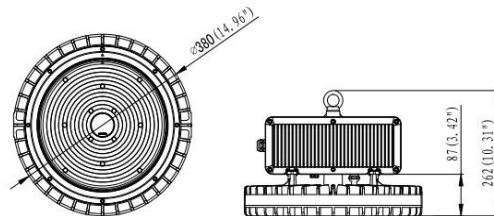


HIGH 1 is designed for operation in environments with large temperature differences and stresses such as moisture, dust and vibrations. It can be mounted both as a ceiling luminaire and LED floodlight, providing flexibility in installation. The luminaire can be equipped with Zhaga socket for integration with smart control systems.

## DIMENSIONS, WEIGHT & MOUNTING

<b>Diameter x height</b>	Ø 380x 262 mm
<b>Weight of luminaire</b>	6,6 kg
<b>Mounting method</b>	Suspended from wire, ceiling, wall

\* Size and weight may vary depending on configuration.



# HIGH 1

100/150/200 W, 4000 K, CRI 80

**STRIHL**  
LIGHTING

## GENERAL DATA

Certificates	CE, ENEC
Recommended mounting height	5-20 m depending on power and purpose
Optional accessories	Ceiling bracket, wall bracket, tempered glass, ZHAGA adapter

## CONSTRUCTION

Materials used	Aluminum (<0.01% copper), polycarbonate lens
Surface treatment	Powder coating
Standard color	Grey*
Ingress protection class	IP66
Vandal resistance class	IK10
Corrosion class	C4
Mounting bracket	Loop for pendant mounting

\*\* Other RAL colors on request.

## ELECTRICAL DATA

Power (adjustable via DIP-switch) ( $\pm 5\%$ )	100 W / 150 W / 200 W
Control	DALI
Surge protection, Transient protection (class I)	6 kV
LED lifetime	90 000 hours (L80), 143 000 hours (L70)*
Operating temperature range	-30°C to +60°.
Mains voltage	120-240 V AC, 50/60 Hz
Power factor	0,92
Electrical safety class	I EU

\*\* Depending on power and ambient temperature.

## PHOTOMETRIC DATA

Color temperature (K)	4000 K (3000 K, 5000 K on request)
Color rendering (CRI)	CRI 80
Luminous efficacy (lm/W)	Up to 190 lm/W *
Light distribution	60°, 90°
UGR	<28

\*\* Depending on the luminaire configuration.

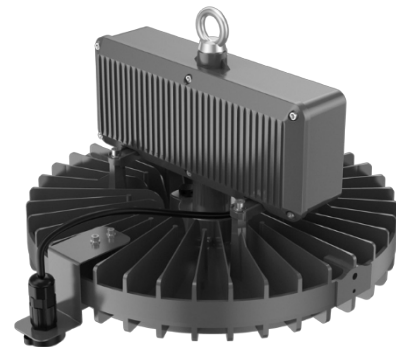
# HIGH 1

100/150/200 W, 4000 K, CRI 80

**STRIHL**  
LIGHTING

## Optional accessories

*Adapter for ZHAGA base*



*Bracket for ceiling*



*Bracket for wall/beam*

