



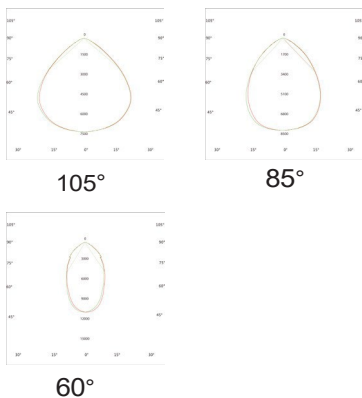
APPLICATIONS

- Warehouses
- Industrial buildings
- Exhibition halls
- Galleries
- Sports halls and gyms
- Customs stations etc.

FEATURES

- Selectable power, color temperature and optics in a single device
- DALI control as standard
- IP65 & IK08 - protection against dust, water and shocks
- High light output - up to 150 lm/W
- Long lifetime - up to 135 000 hours (L70)

LIGHT DISTRIBUTION

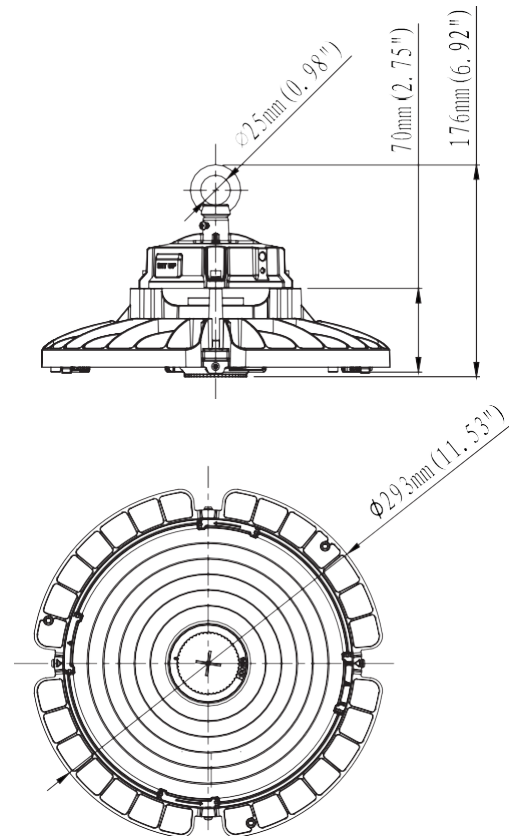


APEX is a compact and flexible ceiling luminaire for installation in demanding industrial environments. Rotatable lens allows selection of beam angle (60°, 85°, 105°), while DIP-switch allows selection of power and color temperature. Flexible mounting and DALI control allow customization as needed.

DIMENSIONS, WEIGHT & MOUNTING

Dimensions (D xH)	Ø 296 x 178 mm
Weight	±2,4 0,3 kg
Installation method	suspended or ceiling/wall mounted with bracket

" Size and weight may vary depending on configuration.



GENERAL DATA

According to current standards	EN 60598, EN 55015, EN 61547
Certificate	EC
Recommended mounting height	2-20 m depending on power and purpose
Optional extras	Microwave sensor, PIR sensor, adjustable bracket, PC or aluminum reflector

CONSTRUCTION

material	Luminaire body in aluminum, lens in polycarbonate
Surface treatment	Powder coating
Standard color	Black (RAL 9017)*
Density class	IP65
Vandal class	IK08
Bracket	Optional hook (loop) bracket or adjustable shackle

* Other RAL colors on request.

ELECTRICAL DATA

Power (adjustable via DIP switch)	200 / 160 / 120 W ($\pm 10\%$)
Control	DALI
Surge protection, Transient protection (Class I)	6 kV
LED lifetime	83 000 hours (L80), 135 000 hours (L70)
Operating temperature range	-30°C to +50°C
Mains voltage	120-240 V AC, 50/60 Hz
Power factor	>0,95
Electrical safety class	I EU

* Depending on power and ambient temperature.

LIGHTING DATA

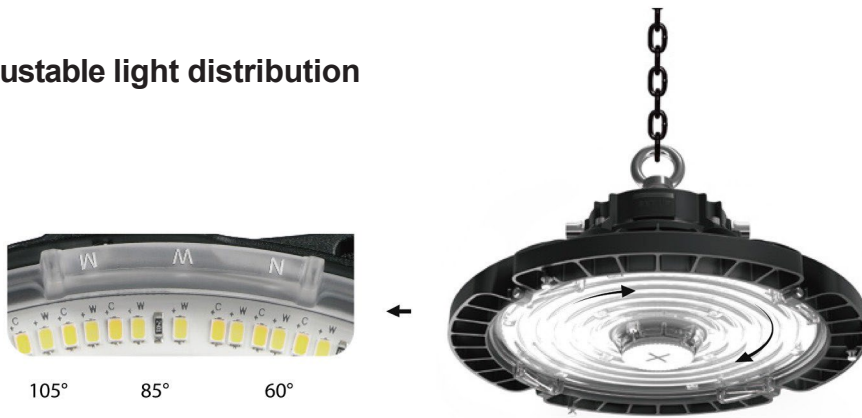
Color temperature (K)	3000 K, 4000 K, 5000 K (selectable via DIP switch)
Color rendering (CRI)	CRI 80
Luminous efficacy (lm/W)	Up to 150 lm/W *
Light distribution	60°, 85°, 105° (rotatable optics)
UGR	<28

* Depending on the luminaire configuration.

APEX

200/160/120 W, 3000K/4000K/5000K, CRI 80

Adjustable light distribution



Adjustable color temperature and power



Sensors for smart control



APEX

200/160/120 W, 3000K/4000K/5000K, CRI 80

STRIHL
LIGHTING

Accessories



Aluminum reflector



PC reflector



Adjustable bracket

